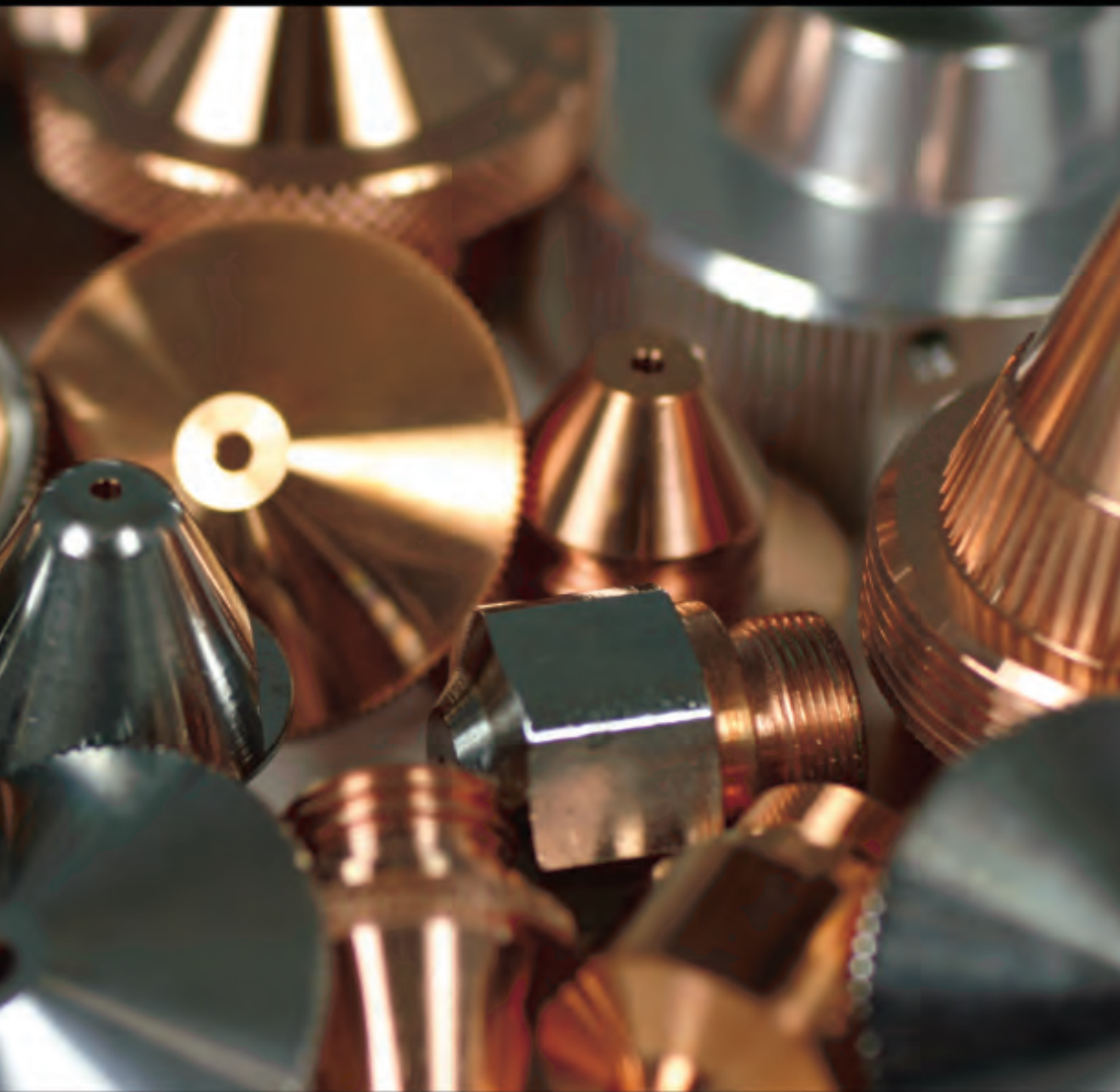


IIVI INFRARED

... the world leader in CO₂ laser optics

CO₂ LASER NOZZLES AND ACCESSORIES



FOR ALL MAJOR OEM LASER MODELS

888.558.1504 (toll-free) • 724.352.1504 (phone) • 724.352.4980 (fax) • www.iiviiinfrared.com

IIVI

AMADA	1
BEHRENS	8
BYSTRONIC	9
CINCINNATI	16
FINN POWER	17
GHT	20
HAAS	22
HACO	23
LASER LAB	24
LVD	25
MAZAK	27
MESSER GRIESHEIM	41
MITSUBISHI	42
MURATA WIEDEMANN	45
NTC - BEYELER	46
PRECITEC	47
PRIMA INDUSTRIE	59
RASKIN	62
ROUCHAUD	63
SALVAGNINI	64
STRIPPIT	66
TRUMPF	67
VALFIVRE	79



HOW TO ORDER

If you are unsure of what nozzles you need contact our trained staff for assistance.

Customers in the USA and Canada can call toll-free: 888.558.1504.

Customers outside of the USA and Canada can call: 724.352.1504.

Customers in Europe and Asia can also contact a II-VI Subsidiary Office (see back cover for details).

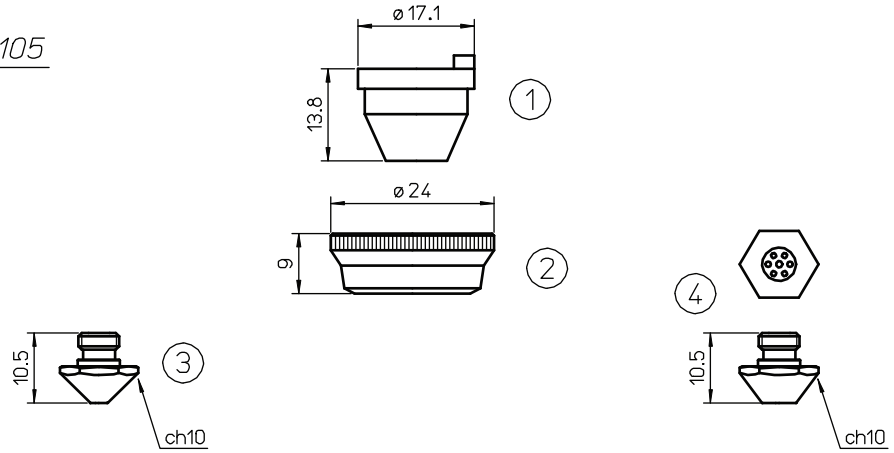
*Contact a II-VI sales representative for 10-pack availability by specific part number.

Catalog revised December 2006 and copyrighted by II-VI Incorporated.

All original equipment manufacturer's names, drawings, colors, trademarks and part numbers are used for identification purposes only, and we are in no way implying that any of our products are original equipment parts. All parts advertised for sale in this catalog are made for and/or by II-VI Incorporated.

REPLACEMENT CO₂ LASER NOZZLES & ACCESSORIES

LASER TLC 105

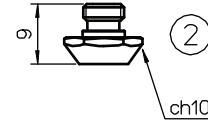
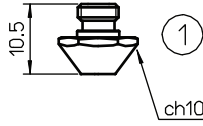


POS	II-VI p/n	OEM p/n	DESCRIPTION
1	AL53	280408-P0494-752-00001	TRUMPF® ORIG. NOZZLE HOLDER KT M1.5 KN
2	AL177	280550-PO494-940-00001	TRUMPF® ORIG. RING
3	L211	226939	TRUMPF® NOZZLE Ø 1.0
	L212		TRUMPF® NOZZLE Ø 1.4
	L213		TRUMPF® NOZZLE Ø 1.7
	L211X	226939	TRUMPF® NOZZLE Ø 1.0 CP
	L212X		TRUMPF® NOZZLE Ø 1.4 CP
	L213X		TRUMPF® NOZZLE Ø 1.7 CP
	L214		TRUMPF® NOZZLE Ø 1.0 HD
	L215	226940	TRUMPF® NOZZLE Ø 1.4 HD
	L216	227144	TRUMPF® NOZZLE Ø 1.7 HD
	L214X		TRUMPF® NOZZLE Ø 1.0 HD CP
	L215X	226940	TRUMPF® NOZZLE Ø 1.4 HD CP
L216X	227144	TRUMPF® NOZZLE Ø 1.7 HD CP	
4	L395	237364	TRUMPF® SHOWER NOZZLE Ø 1.0

TRUMPF

All original equipment manufacturer's names, drawings, colors, trademarks and part numbers are used for identification purposes only, and we are in no way implying that any of our products are original equipment parts. All parts advertised for sale in this catalog are made for and/or by II-VI Incorporated.

LASER TLC 105



POS	II-VI p/n	OEM p/n	DESCRIPTION
1	L255	212334	TRUMPF® NOZZLE Ø 1.0
	L255X	212334	TRUMPF® NOZZLE Ø 1.0 CP
	L270		TRUMPF® NOZZLE Ø 1.0 HD
	L256	216199	TRUMPF® NOZZLE Ø 1.4 HD
	L257	225213	TRUMPF® NOZZLE Ø 1.7 HD
	L277	126156	TRUMPF® NOZZLE Ø 2.3 HD
	L270X		TRUMPF® NOZZLE Ø 1.0 HD CP
	L256X	216199	TRUMPF® NOZZLE Ø 1.4 HD CP
	L257X	225213	TRUMPF® NOZZLE Ø 1.7 HD CP
	L277X	126156	TRUMPF® NOZZLE Ø 2.3 HD CP
2	L278		TRUMPF® SHORT NOZZLE Ø 2.3 HD H=4
	L332		TRUMPF® SHORT NOZZLE Ø 2.3 HD H=3.5

REPLACEMENT CO₂ LASER NOZZLES & ACCESSORIES

LASER TLC 105

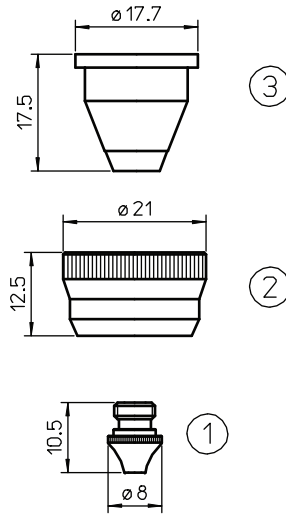


POS	II-VI p/n	OEM p/n	DESCRIPTION
1	L625	135320	TRUMPF® NOZZLE Ø 1.0
	L625X	135320	TRUMPF® NOZZLE Ø 1.0 CP
	L627		TRUMPF® NOZZLE Ø 1.0 HD
	L628	135318	TRUMPF® NOZZLE Ø 1.4 HD
	L629	126157	TRUMPF® NOZZLE Ø 1.7 HD
	L627X		TRUMPF® NOZZLE Ø 1.0 HD CP
	L628X	135318	TRUMPF® NOZZLE Ø 1.4 HD CP
	L629X	126157	TRUMPF® NOZZLE Ø 1.7 HD CP
2	L746		TRUMPF® NOZZLE Ø 0.25
	L267	135318	TRUMPF® NOZZLE Ø 1.0 HD
	L268	126157	TRUMPF® NOZZLE Ø 1.4 HD
	L269		TRUMPF® NOZZLE Ø 1.7 HD
	L267X	135318	TRUMPF® NOZZLE Ø 1.0 HD CP
	L268X	126157	TRUMPF® NOZZLE Ø 1.4 HD CP
	L269X		TRUMPF® NOZZLE Ø 1.7 HD CP

TRUMPF

All original equipment manufacturer's names, drawings, colors, trademarks and part numbers are used for identification purposes only, and we are in no way implying that any of our products are original equipment parts. All parts advertised for sale in this catalog are made for and/or by II-VI Incorporated.

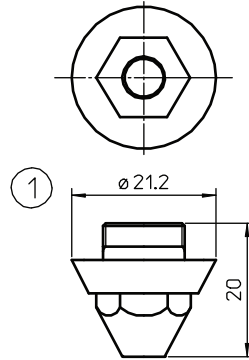
LASER TLC 1005



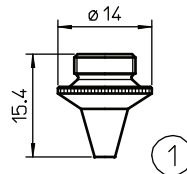
POS	II-VI p/n	OEM p/n	DESCRIPTION
1	L745	958206	TRUMPF® NOZZLE Ø 0.25
	L500	913799	TRUMPF® NOZZLE Ø 0.8 HD
	L501	913800	TRUMPF® NOZZLE Ø 1.0 HD
	L502	913801	TRUMPF® NOZZLE Ø 1.4 HD
	L503	937988	TRUMPF® NOZZLE Ø 1.7 HD
	L504	937989	TRUMPF® NOZZLE Ø 2.3 HD
	L500X	913799	TRUMPF® NOZZLE Ø 0.8 HD CP
	L501X	913800	TRUMPF® NOZZLE Ø 1.0 HD CP
	L502X	913801	TRUMPF® NOZZLE Ø 1.4 HD CP
	L503X	937988	TRUMPF® NOZZLE Ø 1.7 HD CP
	L504X	937989	TRUMPF® NOZZLE Ø 2.3 HD CP
2	AL254	0913965	TRUMPF® RETAINER NUT
3	AL212	936678	TRUMPF® NOZZLE HOLDER

REPLACEMENT CO₂ LASER NOZZLES & ACCESSORIES

TLF 6003



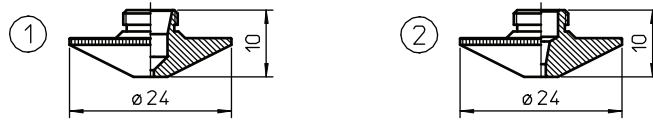
POS	II-VI p/n	OEM p/n	DESCRIPTION
1	L1010X	932530	TRUMPF® NOZZLE Ø 4.5 CP



POS	II-VI p/n	OEM p/n	DESCRIPTION
1	L405	281813-P0589-424-00008	PRECITEC® NOZZLE Ø 0.8
	L406	281789-P0589-426-00010	PRECITEC® NOZZLE Ø 1.0
	L404	281561 - 778550	PRECITEC® NOZZLE Ø 1.2
	L407	281814 - 149957	PRECITEC® NOZZLE Ø 1.5
	L408	P0589-428-00020	PRECITEC® NOZZLE Ø 2.0
	L405X	281813-P0589-424-00008	PRECITEC® NOZZLE Ø 0.8 CP
	L406X	281789-P0589-426-00010	PRECITEC® NOZZLE Ø 1.0 CP
	L404X	281561 - 778550	PRECITEC® NOZZLE Ø 1.2 CP
	L407X	281814 - 149957	PRECITEC® NOZZLE Ø 1.5 CP
	L408X	P0589-428-00020	PRECITEC® NOZZLE Ø 2.0 CP

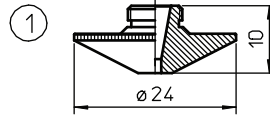
All original equipment manufacturer's names, drawings, colors, trademarks and part numbers are used for identification purposes only, and we are in no way implying that any of our products are original equipment parts. All parts advertised for sale in this catalog are made for and/or by II-VI Incorporated.

TRUMPF



POS	II-VI p/n	OEM p/n	DESCRIPTION
1	L18	124561-237499	TRUMPF® NOZZLE Ø 0.8
	L19	124562-237498	TRUMPF® NOZZLE Ø 1.0
	L361	966809	TRUMPF® NOZZLE Ø 1.2
	L26	237500	TRUMPF® NOZZLE Ø 1.5
	L24	237503	TRUMPF® NOZZLE Ø 2.0
	L797	124564	TRUMPF® NOZZLE Ø 2.3
	L25	237504	TRUMPF® NOZZLE Ø 3.0
	L18X	352280	TRUMPF® NOZZLE Ø 0.8 CP
	L19X	352281	TRUMPF® NOZZLE Ø 1.0 CP
	L361X	352282	TRUMPF® NOZZLE Ø 1.2 CP
	L26X	352288	TRUMPF® NOZZLE Ø 1.5 CP
	L24X		TRUMPF® NOZZLE Ø 2.0 CP
	L797X	124564	TRUMPF® NOZZLE Ø 2.3 CP
	L25X	237504	TRUMPF® NOZZLE Ø 3.0 CP
2	L20	237497	TRUMPF® NOZZLE Ø 1.4 HD
	L20X	352283	TRUMPF® NOZZLE Ø 1.4 HD CP

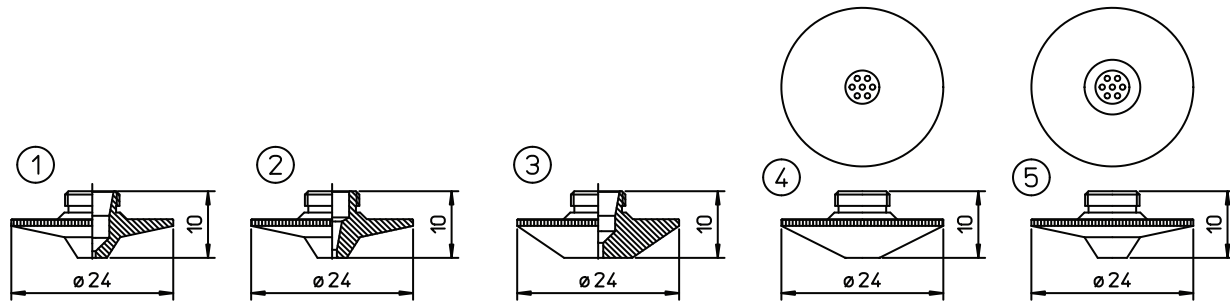
REPLACEMENT CO₂ LASER NOZZLES & ACCESSORIES



POS	II-VI p/n	OEM p/n	DESCRIPTION
1	L258	237497/S	TRUMPF® NOZZLE Ø 1.4 HD
	L21	237501	TRUMPF® NOZZLE Ø 1.7 HD
	L168	237502	TRUMPF® NOZZLE Ø 2.0 HD
	L76	126933 or 1253211	TRUMPF® NOZZLE Ø 2.3 HD
	L185		TRUMPF® NOZZLE Ø 2.5 HD
	L360	942742	TRUMPF® NOZZLE Ø 2.7 HD
	L396		TRUMPF® NOZZLE Ø 3.0 HD
	L258X	237497/S	TRUMPF® NOZZLE Ø 1.4 HD CP
	L21X	352284	TRUMPF® NOZZLE Ø 1.7 HD CP
	L168X	352287	TRUMPF® NOZZLE Ø 2.0 HD CP
	L76X	352285	TRUMPF® NOZZLE Ø 2.3 HD CP
	L185X		TRUMPF® NOZZLE Ø 2.5 HD CP
	L360X	352286	TRUMPF® NOZZLE Ø 2.7 HD CP
	L396X		TRUMPF® NOZZLE Ø 3.0 HD CP

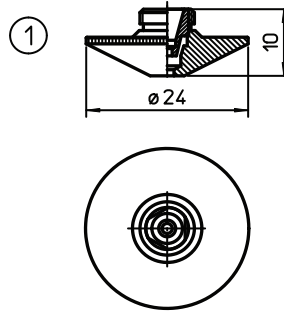
TRUMPF

All original equipment manufacturer's names, drawings, colors, trademarks and part numbers are used for identification purposes only, and we are in no way implying that any of our products are original equipment parts. All parts advertised for sale in this catalog are made for and/or by II-VI Incorporated.



POS	II-VI p/n	OEM p/n	DESCRIPTION
1	L2	215780	TRUMPF® NOZZLE Ø 0.8
	L11	087658	TRUMPF® NOZZLE Ø 1.0
	L2X	215780	TRUMPF® NOZZLE Ø 0.8 CP
	L11X	087658	TRUMPF® NOZZLE Ø 1.0 CP
2	L1	088894	TRUMPF® NOZZLE Ø 1.4 HD
	L12	217867	TRUMPF® NOZZLE Ø 1.7 HD
3	L13	088893	TRUMPF® NOZZLE Ø 1.5
	L68	221781	TRUMPF® NOZZLE Ø 2.0
	L230	235592	TRUMPF® NOZZLE Ø 3.0
4	L495	237872	TRUMPF® SHOWER NOZZLE Ø 0.8
5	L496	217976	TRUMPF® SHOWER NOZZLE Ø 0.8

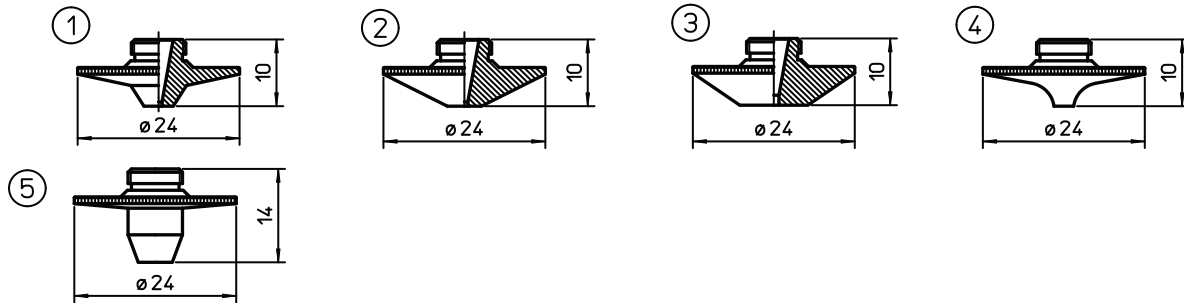
REPLACEMENT CO₂ LASER NOZZLES & ACCESSORIES



POS	II-VI p/n	OEM p/n	DESCRIPTION
1	L640		TRUMPF® NOZZLE Ø 0.8 W/I
	L641		TRUMPF® NOZZLE Ø 1.0 W/I
	L648		TRUMPF® NOZZLE Ø 1.2 W/I
	L642		TRUMPF® NOZZLE Ø 1.4 W/I
	L643		TRUMPF® NOZZLE Ø 1.7 W/I
	L644		TRUMPF® NOZZLE Ø 2.0 W/I
	L645		TRUMPF® NOZZLE Ø 2.3 W/I
	L646		TRUMPF® NOZZLE Ø 2.7 W/I
	L647		TRUMPF® NOZZLE Ø 3.0 W/I
	L640X		TRUMPF® NOZZLE Ø 0.8 CP W/I
	L641X		TRUMPF® NOZZLE Ø 1.0 CP W/I
	L648X		TRUMPF® NOZZLE Ø 1.2 CP W/I
	L642X		TRUMPF® NOZZLE Ø 1.4 CP W/I
	L643X		TRUMPF® NOZZLE Ø 1.7 CP W/I
	L644X		TRUMPF® NOZZLE Ø 2.0 CP W/I
	L645X		TRUMPF® NOZZLE Ø 2.3 CP W/I
	L646X		TRUMPF® NOZZLE Ø 2.7 CP W/I
	L647X		TRUMPF® NOZZLE Ø 3.0 CP W/I

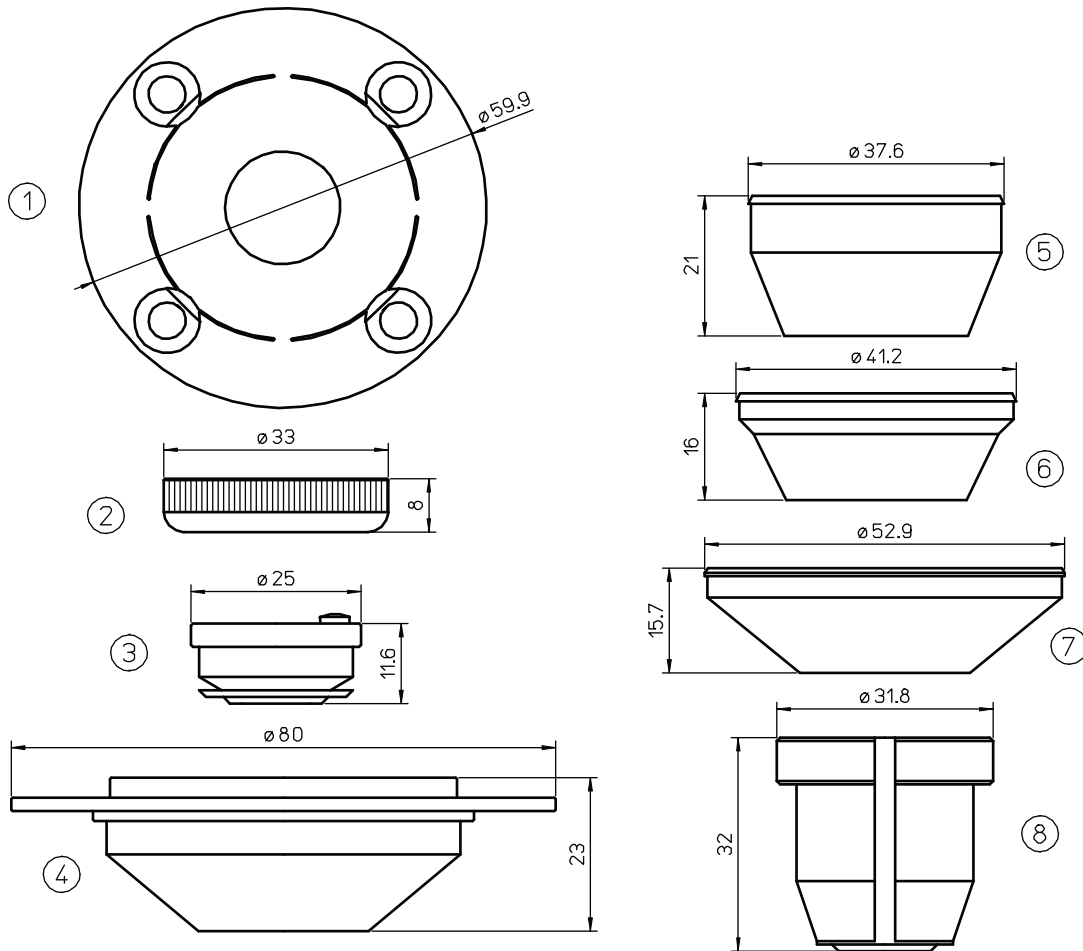
TRUMPF

All original equipment manufacturer's names, drawings, colors, trademarks and part numbers are used for identification purposes only, and we are in no way implying that any of our products are original equipment parts. All parts advertised for sale in this catalog are made for and/or by II-VI Incorporated.



POS	II-VI p/n	OEM p/n	DESCRIPTION
1	L226		TRUMPF® NOZZLE Ø 0.8 HD
	L181		TRUMPF® NOZZLE Ø 1.0 HD
	L182		TRUMPF® NOZZLE Ø 1.4 HD
	L227		TRUMPF® NOZZLE Ø 1.7 HD
	L313		TRUMPF® NOZZLE Ø 2.3 HD
2	L228		TRUMPF® NOZZLE Ø 0.8 HD
	L180		TRUMPF® NOZZLE Ø 1.0 HD
3	L232		TRUMPF® NOZZLE Ø 1.5 HD
	L233		TRUMPF® NOZZLE Ø 2.0 HD
4	L720		TRUMPF® SPECIAL NOZZLE Ø 2.3 HD
	L721		TRUMPF® SPECIAL NOZZLE Ø 2.5 HD
	L722		TRUMPF® SPECIAL NOZZLE Ø 2.7 HD
	L671		TRUMPF® NOZZLE Ø 2.3 HD ECONOMY GAS
	L720X		TRUMPF® SPECIAL NOZZLE Ø 2.3HD CP
	L721X		TRUMPF® SPECIAL NOZZLE Ø 2.5HD CP
	L722X		TRUMPF® SPECIAL NOZZLE Ø 2.7HD CP
5	L200		TRUMPF® EXTENDED NOZZLE Ø 0.8
	L199		TRUMPF® EXTENDED NOZZLE Ø 1.0
	L658		TRUMPF® EXTENDED NOZZLE Ø 1.4

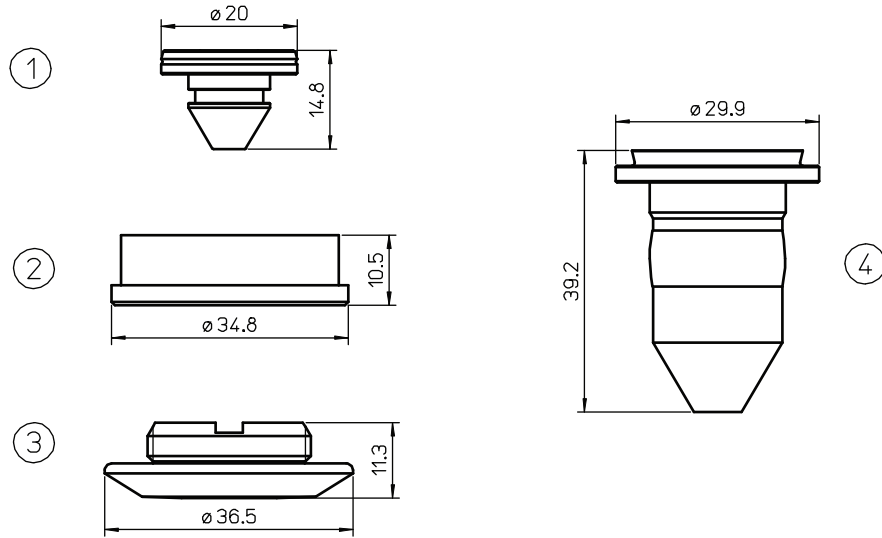
REPLACEMENT CO₂ LASER NOZZLES & ACCESSORIES



POS	II-VI p/n	OEM p/n	DESCRIPTION
1	AL70	234485	TRUMPF® BREAK-AWAY
2	AL250	216066	TRUMPF® SIGNBOARD
3	AL38	258809-243839-247894	TRUMPF® CERAMIC NOZZLE HOLDER
4	AL19	216065	TRUMPF® TEFLON COVER
5	AL47	256153-955826	TRUMPF® TEFLON COVER
6	AL36	254496	TRUMPF® TEFLON COVER
7	AL41	225286	TRUMPF® TEFLON COVER
8	AL108	254493-260432	TRUMPF® CERAMIC NOZZLE HOLDER

TRUMPF

All original equipment manufacturer's names, drawings, colors, trademarks and part numbers are used for identification purposes only, and we are in no way implying that any of our products are original equipment parts. All parts advertised for sale in this catalog are made for and/or by II-VI Incorporated.



POS	II-VI p/n	OEM p/n	DESCRIPTION
1	L5	202952	TRUMPF® NOZZLE $\varnothing 0.8$
	L34	218969	TRUMPF® NOZZLE $\varnothing 1.0$
	L35	209402	TRUMPF® NOZZLE $\varnothing 1.4$ HD
	L36	217953	TRUMPF® NOZZLE $\varnothing 1.7$ HD
2	AL8		TRUMPF® STYLUS FOOT
3	AL7	216086	TRUMPF® STYLUS FOOT
4	L217	060653	TRUMPF® NOZZLE $\varnothing 0.8$
	L218	060653	TRUMPF® NOZZLE $\varnothing 1.0$
	L219	060653	TRUMPF® NOZZLE $\varnothing 1.4$

This page intentionally left blank.

www.iiviinfrared.com

All original equipment manufacturer's names, drawings, colors, trademarks and part numbers are used for identification purposes only, and we are in no way implying that any of our products are original equipment parts. All parts advertised for sale in this catalog are made for and/or by II-VI Incorporated.

I-VI INFRARED ... the world leader in CO₂ laser optics

FOR ALL OF YOUR REPLACEMENT OPTIC NEEDS

888.558.1504 (toll-free) • 724.352.1504 (phone) • 724.352.4980 (fax) • www.iiviinfrared.com

I-VI

The advertisement features a collection of various laser optics, including several large, clear, circular lenses and a smaller, cylindrical nozzle with a yellow lens. The nozzle has "I-VI INFRARED" and "HARRISBURG, PA U.S.A." engraved on its side. The background is a dark, blurred image of more optics.

REPLACEMENT CO₂ LASER NOZZLES & ACCESSORIES

All orders received by II-VI Incorporated ("II-VI") are expressly conditioned upon the following conditions of sale:

1) Acceptance

Any additional or different terms set forth in any purchase order or other communication from Buyer are objected to and not binding upon II-VI unless and until accepted in writing by an authorized representative of II-VI.

2) Standard Warranty

II-VI warrants to the Buyer of each product of II-VI's own manufacture ("Product") that each Product will be free from defects in materials and workmanship subject to the following conditions:

The obligations of II-VI under this Standard Warranty shall be limited to either, at the option of II-VI: (1) the replacement or repair of any Product upon the shipment of such Product, freight prepaid by Buyer to the II-VI factory; or (2) the provision to Buyer of a credit against future purchases in an amount equal to the purchase price of the defective Product.

IN NO EVENT WILL II-VI BE LIABLE FOR ANY INCIDENTAL OR CONSEQUENTIAL DAMAGES OF BUYER. THE FOREGOING REMEDIES ARE THE SOLE AND EXCLUSIVE REMEDY OF BUYER FOR ANY BREACH OF WARRANTY UNDER THIS CONTRACT.

All claims under this Standard Warranty must be made within ONE (1) YEAR after the date on which the Product was delivered to Buyer. In the case of a replacement or repair of a Product, Buyer shall only ship a defective Product to II-VI after an authorized representative of II-VI has provided a Return Authorization (RA) number for such warranty claim. Returns will be subject to a 30% restocking fee.

With respect to such returns, Buyer is solely responsible for properly packaging any Product to be returned to II-VI under this Standard Warranty. Products must be packaged in their original manufacturer's packaging or equivalent. Products must be packaged in separate shipping containers with Return Authorization (RA) numbers clearly marked on the outside of the shipping containers. If there are questions regarding proper packaging and shipping, contact II-VI for guidelines. II-VI will not be responsible for replacing or repairing any Product damaged while in transit to II-VI due to faulty or deficient packaging.

This Standard Warranty shall be void and shall not apply with respect to any Product which, upon inspection by II-VI, shows evidence of damage as a result of abuse, misuse, mishandling, accidental damage, alteration, negligent handling, or improper installation or application, or as a result of alteration or other causes beyond the control of II-VI.

This Standard Warranty shall not apply to goods or parts included in or supplied with Products; such goods or parts carry only such warranties, if any, as are provided by the manufacturers of such goods or parts, which warranties may be more restrictive than the Standard Warranty provided by II-VI.

With respect to any previously-purchased Product, II-VI shall have no obligation to install updates or upgrades to any components in such Product, even if the exclusion of such updates or upgrades of such components renders such Product obsolete when compared to a new Product of a substantially similar type.

THERE ARE NO WARRANTIES THAT EXTEND BEYOND THE DESCRIPTION CONTAINED HEREIN. THIS WARRANTY VOIDS AND EXCLUDES ANY AND ALL OTHER WARRANTIES OR REPRESENTATIONS, WHETHER EXPRESS OR IMPLIED OR ARISING UNDER ANY LAW, RELATING TO THE GOODS, INCLUDING BUT NOT LIMITED TO WARRANTIES OF MERCHANTABILITY AND/OR FITNESS FOR ANY PARTICULAR PURPOSES.

NO PERSON, FIRM, OR CORPORATION IS AUTHORIZED TO ASSUME ON BEHALF OF II-VI ANY ADDITIONAL OBLIGATION OR LIABILITY NOT EXPRESSLY PROVIDED HEREIN, EXCEPT IN A WRITING DULY EXECUTED BY AN OFFICER OF II-VI.

3) Limitation of Liability

In no event shall II-VI be liable for any incidental or consequential damages. The liability of II-VI on any claim of any kind shall in no event exceed the price of the Product which gives rise to the claim. Except as to title, all such liability shall terminate upon expiration of the warranty period of the Product.

The invalidity of any of the previous paragraphs shall not affect the remainder of this paragraph or any other paragraph in this section.

4) Patent Infringement

Buyer shall hold II-VI harmless against any expense or loss resulting from infringement of patents or trademarks arising from compliance with Buyer's designs or specifications.

5) Delivery and Title

Delivery dates are approximate and are based upon prompt receipt of all necessary information from Buyer. Under no circumstances does II-VI guarantee date of shipment.

Unless otherwise specified by II-VI, shipment will be made and title will pass F.O.B. point of shipment. II-VI shall ship Products as it deems appropriate unless instructed otherwise in writing by Buyer.

6) Risk of Loss

Risk of loss or damage shall pass to Buyer upon shipment. Loss or damage that occurs during shipping by a carrier selected by Buyer is Buyer's responsibility.

7) Uncontrollable Delays

II-VI shall not be liable for delivery delays due to causes beyond its reasonable control including, but not limited to, acts of God, acts of Buyer, acts of military authority, governmental priorities, labor strikes, and transportation delays.

8) Financial Conditions

If II-VI determines in good faith that the financial condition of Buyer at any time does not justify the continuation of production or shipment on the terms of payment originally specified, II-VI may require full or partial payment in advance. In the event of Buyer bankruptcy or insolvency, II-VI shall be entitled to cancel any outstanding order and shall receive reimbursement for its cancellation charges.

9) Payment Terms

Unless terms are specifically set forth on the Order Acknowledgement, Buyer shall pay at such time and such terms as specified in II-VI's original invoice. Any quotations shall be valid for the period stated on the quotation.

10) Cancellation

Buyer may not cancel its order after shipment has been made. Buyer may cancel its order prior to shipment only upon written notice and consent of II-VI. If II-VI consents to any such cancellation, Buyer may be required to pay cancellation charges which include lost profits and all expenses incurred in connection with the cancelled order.

11) Jurisdiction

The validity, performance, and all matters relating to the interpretation and effect of this agreement shall be governed by the laws of the Commonwealth of Pennsylvania.

TERMS AND CONDITIONS OF SALE

All original equipment manufacturer's names, drawings, colors, trademarks and part numbers are used for identification purposes only, and we are in no way implying that any of our products are original equipment parts. All parts advertised for sale in this catalog are made for and/or by II-VI Incorporated.

WORLDWIDE SALES OFFICES

To place an order, contact a II-VI sales representative at any of the following locations, or log onto www.iiviinfrared.com/contact for our most complete and up-to-date information.

II-VI INFRARED

375 SAXONBURG BLVD
SAXONBURG, PA 16056
UNITED STATES

888.558.1504 (toll-free in USA)
724.352.1504 (phone)
724.352.4980 (fax)
info@iiviinfrared.com (e-mail)

II-VI WEST

36570 BRIGGS ROAD
MURRIETA, CA 92563
UNITED STATES

800.262.5273 (toll-free in USA)
951.926.7640 (phone)
951.926.1984 (fax)
info@iiviinfrared.com (e-mail)

II-VI BELGIUM NV

BAAIKENSSTRAAT 21/2
B-9240 ZELE
BELGIUM

32 (0) 52 45 86 10 (phone)
32 (0) 52 45 86 11 (fax)
sales@ii-vi.be (e-mail)

II-VI DEUTSCHLAND GmbH

IM TIEFEN SEE 58
D-64293 DARMSTADT
GERMANY

49 6151 880 629 (phone)
49 6151 896 667 (fax)
info@ii-vi.de (e-mail)

II-VI SUISSE S.à.r.l.

MOULIN-DU-CHOC
1122 ROMANEL-SUR-MORGES
SWITZERLAND

41 21 869 02 52 (phone)
41 21 869 93 08 (fax)
info@ii-vi-suisse.ch (e-mail)

II-VI UK LTD.

21 BURLEY ROAD
OAKHAM, RUTLAND
LE15 6DH
ENGLAND

44 1572 771 778 (phone)
44 1572 771 779 (fax)
salesii-vi@oakham.uk.com (e-mail)

II-VI JAPAN

WBG MARIVE EAST 17F
2-6 NAKASE, MIHAMA-KU
CHIBA-SHI, CHIBA 261-7117
JAPAN

81 43297 2693 (phone)
81 43297 3003 (fax)
center@ii-vi.co.jp (e-mail)

II-VI SINGAPORE PTE., LTD.

BLK. 5012, TECH PLACE II
#04-07 & 05-07/12
ANG MO KIO AVE. 5
SINGAPORE 569876

65 6481 8215 (phone)
65 6481 8702 (fax)
info@ii-vi.com.sg (e-mail)

II-VI OPTICS (SUZHOU) CO., LTD.

NO 12, SUTONG ROAD
SUZHOU INDUSTRIAL PARK
SUZHOU, CHINA 215021

86 512 6761 9295 (phone)
86 512 6761 5049 (fax)
twosix@ii-vi.com.cn (e-mail)

www.iiviinfrared.com