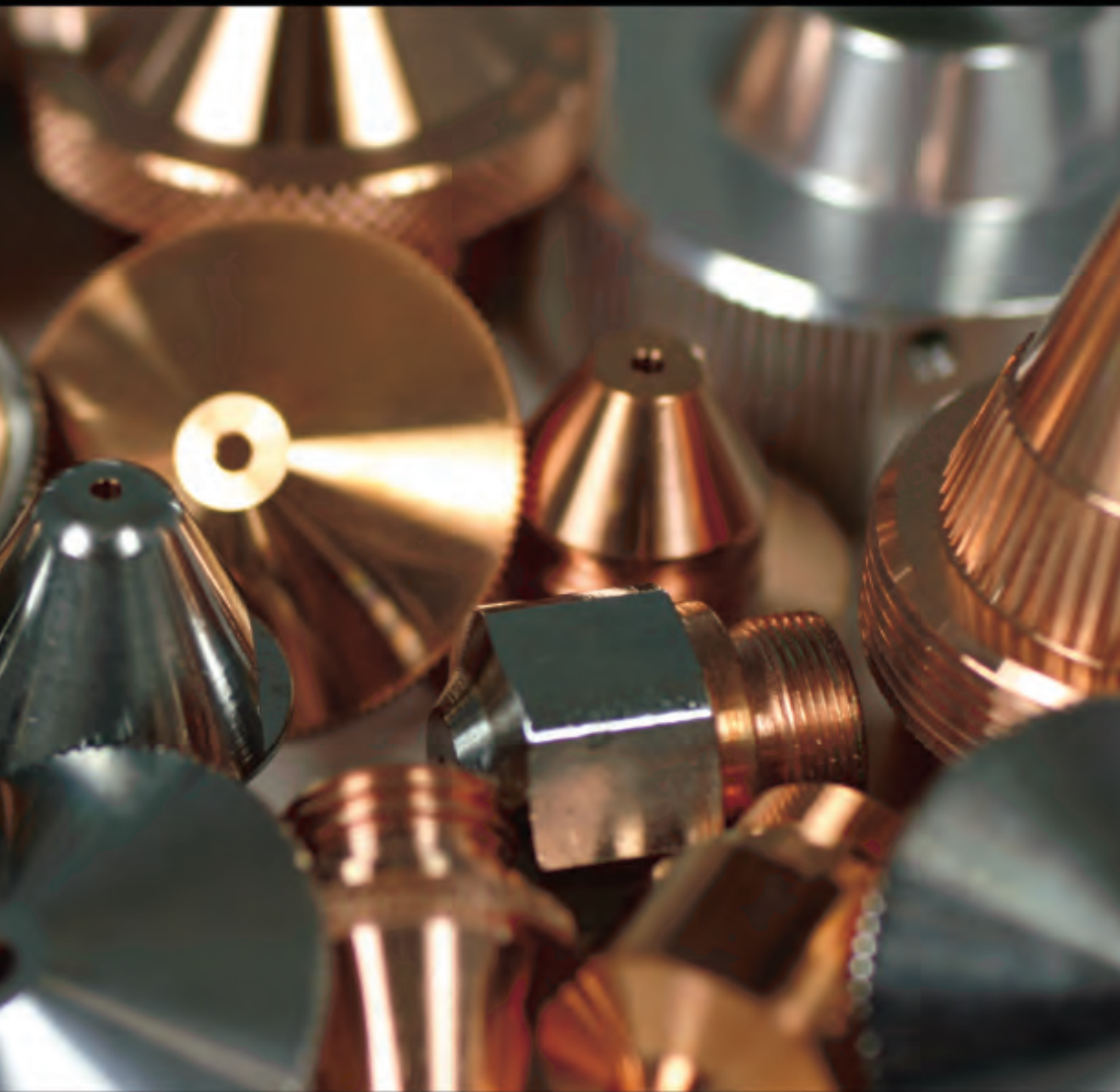


IIVI INFRARED

... the world leader in CO₂ laser optics

CO₂ LASER NOZZLES AND ACCESSORIES



FOR ALL MAJOR OEM LASER MODELS

888.558.1504 (toll-free) • 724.352.1504 (phone) • 724.352.4980 (fax) • www.iiviiinfrared.com

IIVI

AMADA	1
BEHRENS	8
BYSTRONIC	9
CINCINNATI	16
FINN POWER	17
GHT	20
HAAS	22
HACO	23
LASER LAB	24
LVD	25
MAZAK	27
MESSER GRIESHEIM	41
MITSUBISHI	42
MURATA WIEDEMANN	45
NTC - BEYELER	46
PRECITEC	47
PRIMA INDUSTRIE	59
RASKIN	62
ROUCHAUD	63
SALVAGNINI	64
STRIPPIT	66
TRUMPF	67
VALFIVRE	79



HOW TO ORDER

If you are unsure of what nozzles you need contact our trained staff for assistance.

Customers in the USA and Canada can call toll-free: 888.558.1504.

Customers outside of the USA and Canada can call: 724.352.1504.

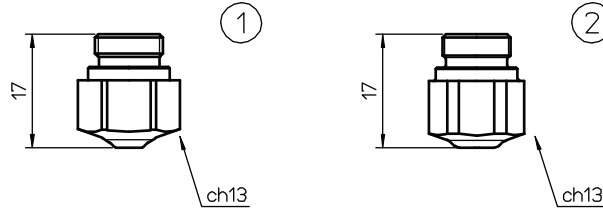
Customers in Europe and Asia can also contact a II-VI Subsidiary Office (see back cover for details).

*Contact a II-VI sales representative for 10-pack availability by specific part number.

Catalog revised December 2006 and copyrighted by II-VI Incorporated.

All original equipment manufacturer's names, drawings, colors, trademarks and part numbers are used for identification purposes only, and we are in no way implying that any of our products are original equipment parts. All parts advertised for sale in this catalog are made for and/or by II-VI Incorporated.

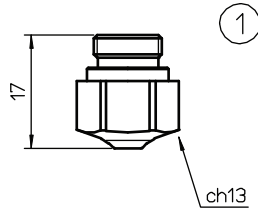
REPLACEMENT CO₂ LASER NOZZLES & ACCESSORIES



POS	II-VI p/n	OEM p/n	DESCRIPTION
1	L674	3-04277 HK08	BYSTRONIC® NOZZLE Ø 0.8 HD
	L72	3-01910 HK10	BYSTRONIC® NOZZLE Ø 1.0 HD
	L121	3-01911 HK12	BYSTRONIC® NOZZLE Ø 1.25 HD
	L73	3-01912 HK15	BYSTRONIC® NOZZLE Ø 1.5 HD
	L122	3-01913 HK17	BYSTRONIC® NOZZLE Ø 1.75 HD
	L72X	3-01910 HK10	BYSTRONIC® NOZZLE Ø 1.0 HD CP
	L121X	3-01911 HK12	BYSTRONIC® NOZZLE Ø 1.25 HD CP
	L73X	3-01912 HK15	BYSTRONIC® NOZZLE Ø 1.5 HD CP
	L122X	3-01913 HK17	BYSTRONIC® NOZZLE Ø 1.75 HD CP
2	L123	3-01914 HK20	BYSTRONIC® NOZZLE Ø 2.0 HD
	L140	3-03854 HK25	BYSTRONIC® NOZZLE Ø 2.5 HD
	L265	3-06112 HK30	BYSTRONIC® NOZZLE Ø 3.0 HD
	L123X	3-01914 HK20	BYSTRONIC® NOZZLE Ø 2.0 HD CP
	L140X	3-03854 HK25	BYSTRONIC® NOZZLE Ø 2.5 HD CP
	L265X	3-06112 HK30	BYSTRONIC® NOZZLE Ø 3.0 HD CP

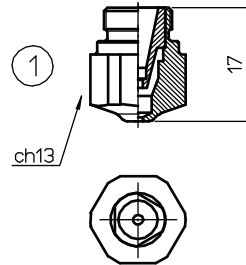
BYSTRONIC

All original equipment manufacturer's names, drawings, colors, trademarks and part numbers are used for identification purposes only, and we are in no way implying that any of our products are original equipment parts. All parts advertised for sale in this catalog are made for and/or by II-VI Incorporated.



POS	II-VI p/n	OEM p/n	DESCRIPTION
1	L83	3-04273 K08	BYSTRONIC® NOZZLE Ø 0.8
	L116	3-01905 K10	BYSTRONIC® NOZZLE Ø 1.0
	L117	3-01906 K12	BYSTRONIC® NOZZLE Ø 1.25
	L118	3-01907 K15	BYSTRONIC® NOZZLE Ø 1.5
	L119	3-01908 K17	BYSTRONIC® NOZZLE Ø 1.75
	L120	3-01909 K20	BYSTRONIC® NOZZLE Ø 2.0
	L675	3-04274 K25	BYSTRONIC® NOZZLE Ø 2.5
	L678	3-04275 K30	BYSTRONIC® NOZZLE Ø 3.0
	L83X	3-04273 K08	BYSTRONIC® NOZZLE Ø 0.8 CP
	L116X	3-01905 K10	BYSTRONIC® NOZZLE Ø 1.0 CP
	L117X	3-01906 K12	BYSTRONIC® NOZZLE Ø 1.25 CP
	L118X	3-01907 K15	BYSTRONIC® NOZZLE Ø 1.5 CP
	L119X	3-01908 K17	BYSTRONIC® NOZZLE Ø 1.75 CP
	L120X	3-01909 K20	BYSTRONIC® NOZZLE Ø 2.0 CP
	L675X	3-04274 K25	BYSTRONIC® NOZZLE Ø 2.5 CP

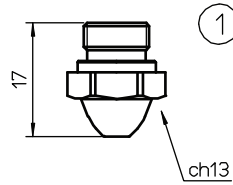
REPLACEMENT CO₂ LASER NOZZLES & ACCESSORIES



POS	II-VI p/n	OEM p/n	DESCRIPTION
1	L600	3-16058 NK10	BYSTRONIC® DOUBLE NOZZLE Ø 1.0
	L601	3-16059 NK12	BYSTRONIC® DOUBLE NOZZLE Ø 1.25
	L602	3-16060 NK15	BYSTRONIC® DOUBLE NOZZLE Ø 1.5
	L603	3-14317 NK17	BYSTRONIC® DOUBLE NOZZLE Ø 1.75
	L604	3-14318 NK20	BYSTRONIC® DOUBLE NOZZLE Ø 2.0
	L605	3-14319 NK25	BYSTRONIC® DOUBLE NOZZLE Ø 2.5
	L612	3-16256 NK25	BYSTRONIC® DOUBLE NOZZLE Ø 2.0 W/INNER Ø2.0
	L613	3-16061 NK30	BYSTRONIC® DOUBLE NOZZLE Ø 3.0 W/INNER Ø1.75
	L606	3-16257 NK30	BYSTRONIC® DOUBLE NOZZLE Ø 3.0
	L600X	3-16058 NK10	BYSTRONIC® DOUBLE NOZZLE Ø 1.0 CP
	L601X	3-16059 NK12	BYSTRONIC® DOUBLE NOZZLE Ø 1.25 CP
	L602X	3-16060 NK15	BYSTRONIC® DOUBLE NOZZLE Ø 1.5 CP
	L603X	3-14317 NK17	BYSTRONIC® DOUBLE NOZZLE Ø 1.75 CP
	L604X	3-14318 NK20	BYSTRONIC® DOUBLE NOZZLE Ø 2.0 CP
	L605X	3-14319 NK25	BYSTRONIC® DOUBLE NOZZLE Ø 2.5 CP
	L612X	3-16256 NK25	BYSTRONIC® DOUBLE NOZZLE Ø 2.5 W/INNER Ø2.0 CP
	L613X	3-16061 NK30	BYSTRONIC® DOUBLE NOZZLE Ø 3.0 W/INNER Ø1.75 CP
	L606X	3-16257 NK30	BYSTRONIC® DOUBLE NOZZLE Ø 3.0 CP

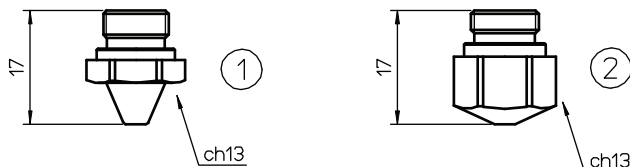
BYSTRONIC

All original equipment manufacturer's names, drawings, colors, trademarks and part numbers are used for identification purposes only, and we are in no way implying that any of our products are original equipment parts. All parts advertised for sale in this catalog are made for and/or by II-VI Incorporated.



POS	II-VI p/n	OEM p/n	DESCRIPTION
1	L82	3-04271 08	BYSTRONIC® NOZZLE Ø 0.8
	L98	3-01894 10	BYSTRONIC® NOZZLE Ø 1.0
	L99	3-01895 12	BYSTRONIC® NOZZLE Ø 1.25
	L100	3-01896 15	BYSTRONIC® NOZZLE Ø 1.5
	L101	3-01897 17	BYSTRONIC® NOZZLE Ø 1.75
	L102	3-01898 20	BYSTRONIC® NOZZLE Ø 2.0
	L676	3-04272 25	BYSTRONIC® NOZZLE Ø 2.5
	L673	3-04275 H08	BYSTRONIC® NOZZLE Ø 0.8 HD
	L88	3-01899 H10	BYSTRONIC® NOZZLE Ø 1.0 HD
	L103	3-01900 H12	BYSTRONIC® NOZZLE Ø 1.25 HD
	L104	3-01901 H15	BYSTRONIC® NOZZLE Ø 1.5 HD
	L105	3-01902 H17	BYSTRONIC® NOZZLE Ø 1.75 HD
	L106	3-01903 H20	BYSTRONIC® NOZZLE Ø 2.0 HD
	L677	3-04276 H25	BYSTRONIC® NOZZLE Ø 2.5 HD
	L88X	3-01899 H10	BYSTRONIC® NOZZLE Ø 1.0 HD CP
	L103X	3-01900 H12	BYSTRONIC® NOZZLE Ø 1.25 HD CP
	L104X	3-01901 H15	BYSTRONIC® NOZZLE Ø 1.5 HD CP
	L105X	3-01902 H17	BYSTRONIC® NOZZLE Ø 1.75 HD CP
	L106X	3-01903 H20	BYSTRONIC® NOZZLE Ø 2.0 HD CP
	L677X	3-04276 H25	BYSTRONIC® NOZZLE Ø 2.5 HD CP

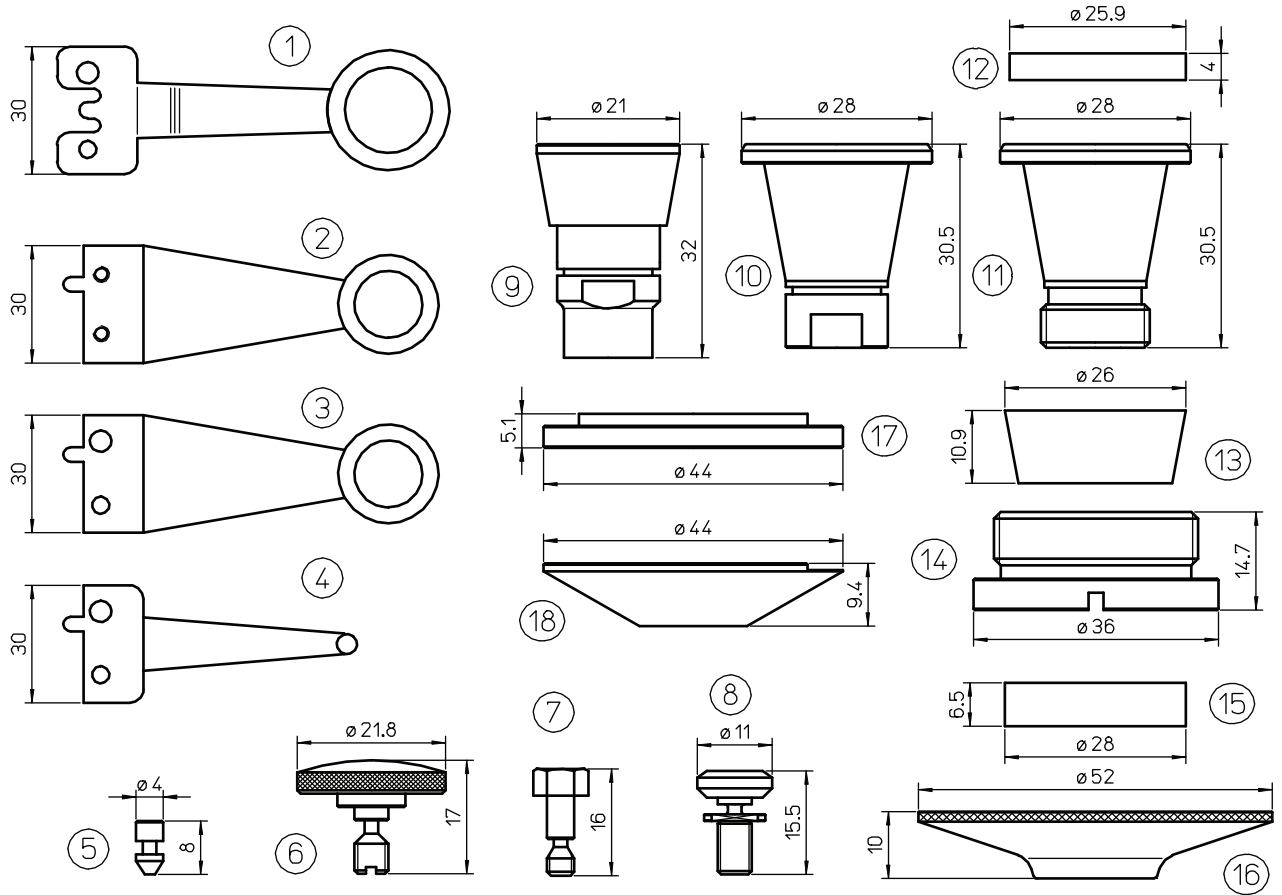
REPLACEMENT CO₂ LASER NOZZLES & ACCESSORIES



POS	II-VI p/n	OEM p/n	DESCRIPTION
1	L22	3-04271 08	BYSTRONIC® NOZZLE Ø 0.8
	L14	3-01894 10	BYSTRONIC® NOZZLE Ø 1.0
	L41	3-01895 12	BYSTRONIC® NOZZLE Ø 1.25
	L17	3-01896 15	BYSTRONIC® NOZZLE Ø 1.5
	L42	3-01897 17	BYSTRONIC® NOZZLE Ø 1.75
	L33	3-01898 20	BYSTRONIC® NOZZLE Ø 2.0
	L43	3-01899 H10	BYSTRONIC® NOZZLE Ø 1.0 HD
	L16	3-01900 H12	BYSTRONIC® NOZZLE Ø 1.25 HD
	L44	3-01901 H15	BYSTRONIC® NOZZLE Ø 1.5 HD
	L45	3-01902 H17	BYSTRONIC® NOZZLE Ø 1.75 HD
	L46	3-01903 H20	BYSTRONIC® NOZZLE Ø 2.0 HD
2	L71	3-04273 K08	BYSTRONIC® NOZZLE Ø 0.8
	L107	3-01905 K10	BYSTRONIC® NOZZLE Ø 1.0
	L108	3-01906 K12	BYSTRONIC® NOZZLE Ø 1.25
	L109	3-01907 K15	BYSTRONIC® NOZZLE Ø 1.5
	L110	3-01908 K17	BYSTRONIC® NOZZLE Ø 1.75
	L111	3-01909 K20	BYSTRONIC® NOZZLE Ø 2.0
	L89	3-01910 HK10	BYSTRONIC® NOZZLE Ø 1.0 HD
	L112	3-01911 HK12	BYSTRONIC® NOZZLE Ø 1.25 HD
	L113	3-01912 HK15	BYSTRONIC® NOZZLE Ø 1.5 HD
	L114	3-01913 HK17	BYSTRONIC® NOZZLE Ø 1.75 HD
	L115	3-01914 HK20	BYSTRONIC® NOZZLE Ø 2.0 HD

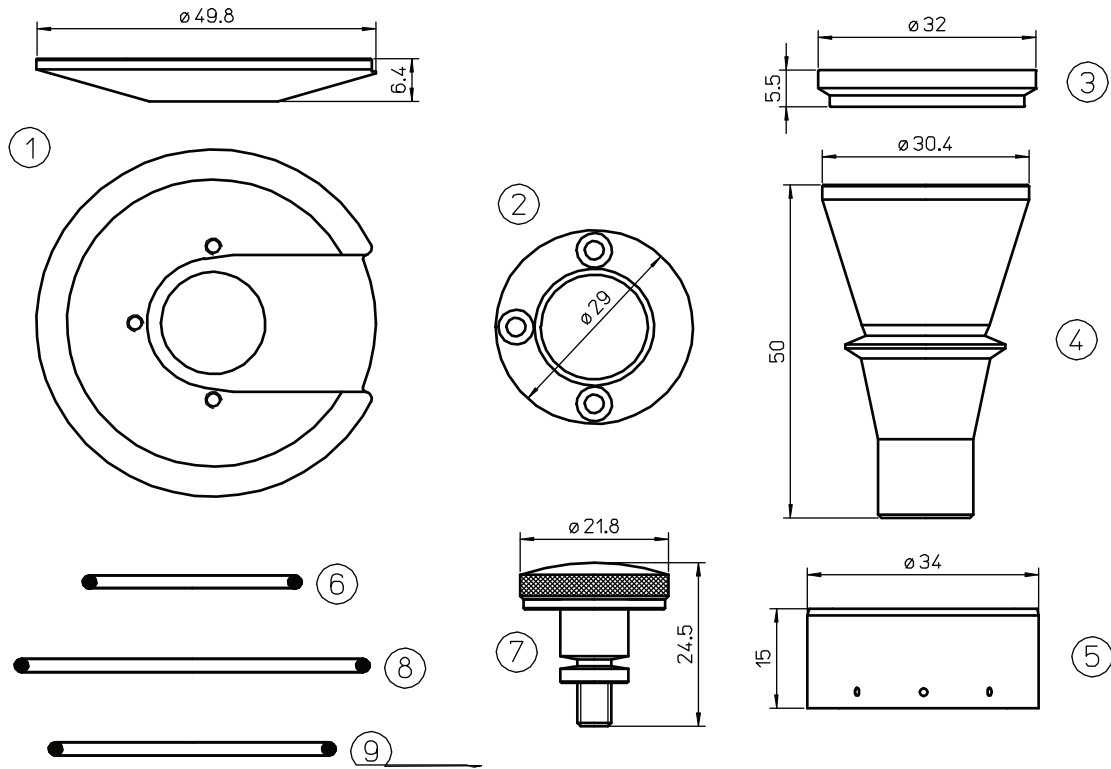
BYSTRONIC

All original equipment manufacturer's names, drawings, colors, trademarks and part numbers are used for identification purposes only, and we are in no way implying that any of our products are original equipment parts. All parts advertised for sale in this catalog are made for and/or by II-VI Incorporated.



POS	II-VI p/n	OEM p/n	DESCRIPTION
1	AL26	3-05530	BYSTRONIC® SCANNER
2	AL5	2-02015	BYSTRONIC® SCANNER
3	AL252	2-02015	BYSTRONIC® SCANNER
4	AL251	2-02016	BYSTRONIC® BALL SCANNER
5	AL24	4-03137	BYSTRONIC® PIN
6	AL25	4-03136	BYSTRONIC® KNURLED SCREW - BRASS
7	AL1	4-00324	BYSTRONIC® KNURLED SCREW
8	AL208	3-09001	BYSTRONIC® SCREW FOR CROSS-JET
9	AL188	3-02291	BYSTRONIC® NOZZLE BODY
10	AL102	3-05497	BYSTRONIC® COPPER NOZZLE BODY
11	AL172	2-08701	BYSTRONIC® NOZZLE BODY
12	AL125	4-01642	BYSTRONIC® CERAMIC INSULATING DISC
	AL231	4-01642	BYSTRONIC® CERAMIC INSULATING DISC NEW VERSION
13	AL124	4-01959	BYSTRONIC® CERAMIC CONE
	AL230	4-01959	BYSTRONIC® CERAMIC CONE - NEW VERSION
14	AL174	3-11071	BYSTRONIC® FASTENING NUT
15	AL126	4-09010	BYSTRONIC® CERAMIC INSULATING RING
16	AL173	2-08700	BYSTRONIC® SIGNBOARD
17	AL206	3-03663-T	BYSTRONIC® TEFLON DISC
18	AL205	3-03663-C	BYSTRONIC® SIGNBOARD
	AL246		BYSTRONIC® SCREW KIT (3 PCS) FOR AL205

REPLACEMENT CO₂ LASER NOZZLES & ACCESSORIES



POS	II-VI p/n	OEM p/n	DESCRIPTION
1	AL222	3-06035	BYSTRONIC® SIGNBOARD COPPER ONLY
	AL245		BYSTRONIC® SCREW KIT (3 PCS) FOR AL222
2	AL120	3-06035-T	BYSTRONIC® DISC TEFLON
	AL120/P	3-06035-P	BYSTRONIC® DISK LONG LIFE
3	AL215	3-13113	BYSTRONIC® INSULATING RING
4	AL214	2-10837	BYSTRONIC® NOZZLE BODY
5	AL216	3-13422	BYSTRONIC® INSULATING RING WITH HOLES
6	AL99	3140820	BYSTRONIC® O-RING FOR LENS
7	AL209	4-04976	BYSTRONIC® KNURLED SCREW
8	AL225	3141300	BYSTRONIC® O-RING
9	AL226	3141122	BYSTRONIC® O-RING
		3149871	BYSTRONIC® O-RING - 3 PCS
		3140236	BYSTRONIC® O-RING

All original equipment manufacturer's names, drawings, colors, trademarks and part numbers are used for identification purposes only, and we are in no way implying that any of our products are original equipment parts. All parts advertised for sale in this catalog are made for and/or by II-VI Incorporated.

BYSTRONIC

I-VI INFRARED ... the world leader in CO₂ laser optics

FOR ALL OF YOUR REPLACEMENT OPTIC NEEDS

888.558.1504 (toll-free) • 724.352.1504 (phone) • 724.352.4980 (fax) • www.iiviinfrared.com

I-VI

The advertisement features a collection of laser optics, including several circular lenses of varying sizes and colors (yellow, orange, and green) and a black nozzle with a silver ring. The nozzle has "I-VI INFRARED" and "HARRISBURG, PA U.S.A." engraved on it. The background is dark, making the optics stand out.

All orders received by II-VI Incorporated ("II-VI") are expressly conditioned upon the following conditions of sale:

1) Acceptance

Any additional or different terms set forth in any purchase order or other communication from Buyer are objected to and not binding upon II-VI unless and until accepted in writing by an authorized representative of II-VI.

2) Standard Warranty

II-VI warrants to the Buyer of each product of II-VI's own manufacture ("Product") that each Product will be free from defects in materials and workmanship subject to the following conditions:

The obligations of II-VI under this Standard Warranty shall be limited to either, at the option of II-VI: (1) the replacement or repair of any Product upon the shipment of such Product, freight prepaid by Buyer to the II-VI factory; or (2) the provision to Buyer of a credit against future purchases in an amount equal to the purchase price of the defective Product.

IN NO EVENT WILL II-VI BE LIABLE FOR ANY INCIDENTAL OR CONSEQUENTIAL DAMAGES OF BUYER. THE FOREGOING REMEDIES ARE THE SOLE AND EXCLUSIVE REMEDY OF BUYER FOR ANY BREACH OF WARRANTY UNDER THIS CONTRACT.

All claims under this Standard Warranty must be made within ONE (1) YEAR after the date on which the Product was delivered to Buyer. In the case of a replacement or repair of a Product, Buyer shall only ship a defective Product to II-VI after an authorized representative of II-VI has provided a Return Authorization (RA) number for such warranty claim. Returns will be subject to a 30% restocking fee.

With respect to such returns, Buyer is solely responsible for properly packaging any Product to be returned to II-VI under this Standard Warranty. Products must be packaged in their original manufacturer's packaging or equivalent. Products must be packaged in separate shipping containers with Return Authorization (RA) numbers clearly marked on the outside of the shipping containers. If there are questions regarding proper packaging and shipping, contact II-VI for guidelines. II-VI will not be responsible for replacing or repairing any Product damaged while in transit to II-VI due to faulty or deficient packaging.

This Standard Warranty shall be void and shall not apply with respect to any Product which, upon inspection by II-VI, shows evidence of damage as a result of abuse, misuse, mishandling, accidental damage, alteration, negligent handling, or improper installation or application, or as a result of alteration or other causes beyond the control of II-VI.

This Standard Warranty shall not apply to goods or parts included in or supplied with Products; such goods or parts carry only such warranties, if any, as are provided by the manufacturers of such goods or parts, which warranties may be more restrictive than the Standard Warranty provided by II-VI.

With respect to any previously-purchased Product, II-VI shall have no obligation to install updates or upgrades to any components in such Product, even if the exclusion of such updates or upgrades of such components renders such Product obsolete when compared to a new Product of a substantially similar type.

THERE ARE NO WARRANTIES THAT EXTEND BEYOND THE DESCRIPTION CONTAINED HEREIN. THIS WARRANTY VOIDS AND EXCLUDES ANY AND ALL OTHER WARRANTIES OR REPRESENTATIONS, WHETHER EXPRESS OR IMPLIED OR ARISING UNDER ANY LAW, RELATING TO THE GOODS, INCLUDING BUT NOT LIMITED TO WARRANTIES OF MERCHANTABILITY AND/OR FITNESS FOR ANY PARTICULAR PURPOSES.

NO PERSON, FIRM, OR CORPORATION IS AUTHORIZED TO ASSUME ON BEHALF OF II-VI ANY ADDITIONAL OBLIGATION OR LIABILITY NOT EXPRESSLY PROVIDED HEREIN, EXCEPT IN A WRITING DULY EXECUTED BY AN OFFICER OF II-VI.

3) Limitation of Liability

In no event shall II-VI be liable for any incidental or consequential damages. The liability of II-VI on any claim of any kind shall in no event exceed the price of the Product which gives rise to the claim. Except as to title, all such liability shall terminate upon expiration of the warranty period of the Product.

The invalidity of any of the previous paragraphs shall not affect the remainder of this paragraph or any other paragraph in this section.

4) Patent Infringement

Buyer shall hold II-VI harmless against any expense or loss resulting from infringement of patents or trademarks arising from compliance with Buyer's designs or specifications.

5) Delivery and Title

Delivery dates are approximate and are based upon prompt receipt of all necessary information from Buyer. Under no circumstances does II-VI guarantee date of shipment.

Unless otherwise specified by II-VI, shipment will be made and title will pass F.O.B. point of shipment. II-VI shall ship Products as it deems appropriate unless instructed otherwise in writing by Buyer.

6) Risk of Loss

Risk of loss or damage shall pass to Buyer upon shipment. Loss or damage that occurs during shipping by a carrier selected by Buyer is Buyer's responsibility.

7) Uncontrollable Delays

II-VI shall not be liable for delivery delays due to causes beyond its reasonable control including, but not limited to, acts of God, acts of Buyer, acts of military authority, governmental priorities, labor strikes, and transportation delays.

8) Financial Conditions

If II-VI determines in good faith that the financial condition of Buyer at any time does not justify the continuation of production or shipment on the terms of payment originally specified, II-VI may require full or partial payment in advance. In the event of Buyer bankruptcy or insolvency, II-VI shall be entitled to cancel any outstanding order and shall receive reimbursement for its cancellation charges.

9) Payment Terms

Unless terms are specifically set forth on the Order Acknowledgement, Buyer shall pay at such time and such terms as specified in II-VI's original invoice. Any quotations shall be valid for the period stated on the quotation.

10) Cancellation

Buyer may not cancel its order after shipment has been made. Buyer may cancel its order prior to shipment only upon written notice and consent of II-VI. If II-VI consents to any such cancellation, Buyer may be required to pay cancellation charges which include lost profits and all expenses incurred in connection with the cancelled order.

11) Jurisdiction

The validity, performance, and all matters relating to the interpretation and effect of this agreement shall be governed by the laws of the Commonwealth of Pennsylvania.

All original equipment manufacturer's names, drawings, colors, trademarks and part numbers are used for identification purposes only, and we are in no way implying that any of our products are original equipment parts. All parts advertised for sale in this catalog are made for and/or by II-VI Incorporated.

WORLDWIDE SALES OFFICES

To place an order, contact a II-VI sales representative at any of the following locations, or log onto www.iiviinfrared.com/contact for our most complete and up-to-date information.

II-VI INFRARED

375 SAXONBURG BLVD
SAXONBURG, PA 16056
UNITED STATES

888.558.1504 (toll-free in USA)
724.352.1504 (phone)
724.352.4980 (fax)
info@iiviinfrared.com (e-mail)

II-VI WEST

36570 BRIGGS ROAD
MURRIETA, CA 92563
UNITED STATES

800.262.5273 (toll-free in USA)
951.926.7640 (phone)
951.926.1984 (fax)
info@iiviinfrared.com (e-mail)

II-VI BELGIUM NV

BAAIKENSSTRAAT 21/2
B-9240 ZELE
BELGIUM

32 (0) 52 45 86 10 (phone)
32 (0) 52 45 86 11 (fax)
sales@ii-vi.be (e-mail)

II-VI DEUTSCHLAND GmbH

IM TIEFEN SEE 58
D-64293 DARMSTADT
GERMANY

49 6151 880 629 (phone)
49 6151 896 667 (fax)
info@ii-vi.de (e-mail)

II-VI SUISSE S.à.r.l.

MOULIN-DU-CHOC
1122 ROMANEL-SUR-MORGES
SWITZERLAND

41 21 869 02 52 (phone)
41 21 869 93 08 (fax)
info@ii-vi-suisse.ch (e-mail)

II-VI UK LTD.

21 BURLEY ROAD
OAKHAM, RUTLAND
LE15 6DH
ENGLAND

44 1572 771 778 (phone)
44 1572 771 779 (fax)
salesii-vi@oakham.uk.com (e-mail)

II-VI JAPAN

WBG MARIVE EAST 17F
2-6 NAKASE, MIHAMA-KU
CHIBA-SHI, CHIBA 261-7117
JAPAN

81 43297 2693 (phone)
81 43297 3003 (fax)
center@ii-vi.co.jp (e-mail)

II-VI SINGAPORE PTE., LTD.

BLK. 5012, TECH PLACE II
#04-07 & 05-07/12
ANG MO KIO AVE. 5
SINGAPORE 569876

65 6481 8215 (phone)
65 6481 8702 (fax)
info@ii-vi.com.sg (e-mail)

II-VI OPTICS (SUZHOU) CO., LTD.

NO 12, SUTONG ROAD
SUZHOU INDUSTRIAL PARK
SUZHOU, CHINA 215021

86 512 6761 9295 (phone)
86 512 6761 5049 (fax)
twosix@ii-vi.com.cn (e-mail)

www.iiviinfrared.com