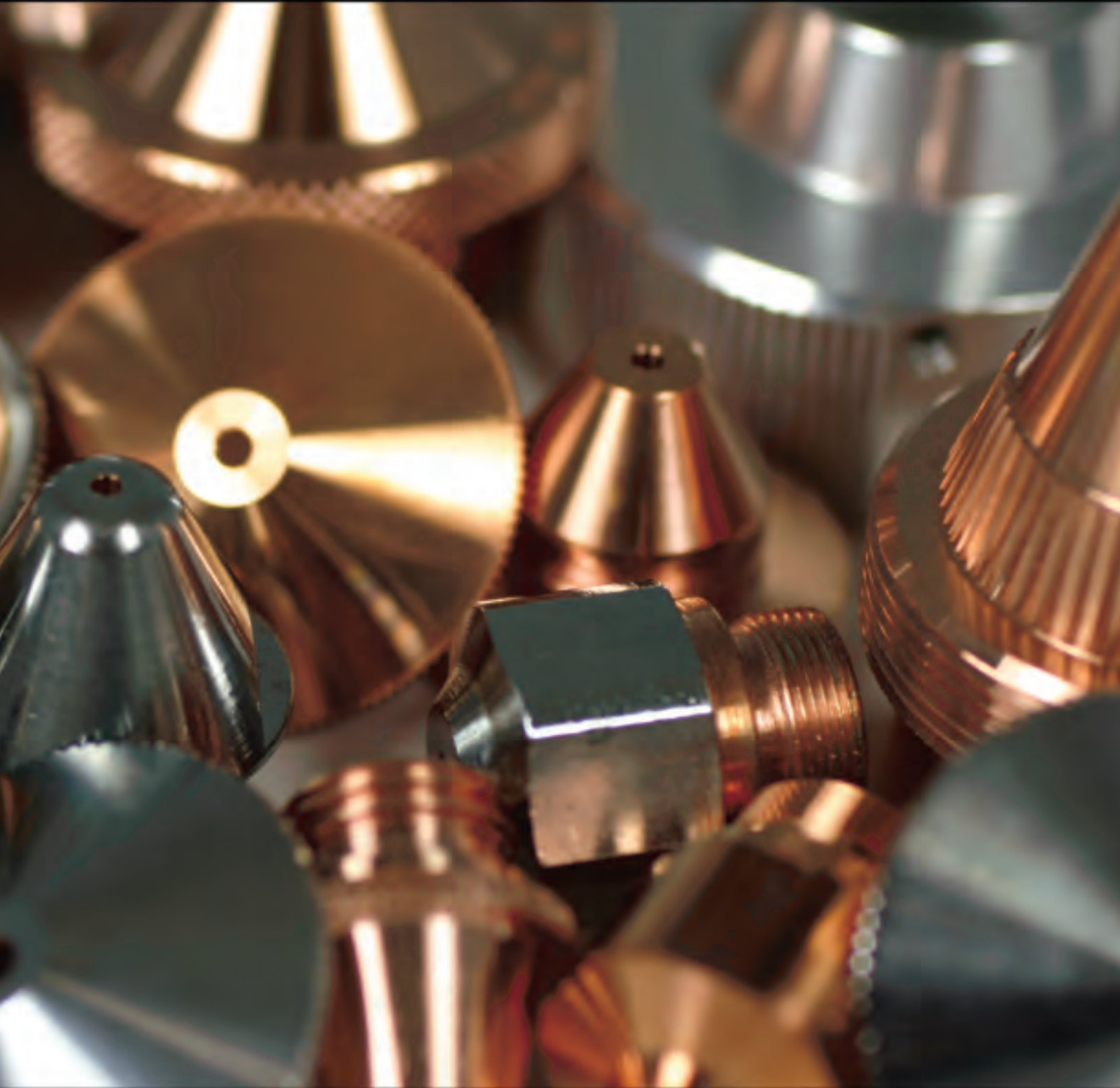


IIVI INFRARED

... the world leader in CO₂ laser optics

CO₂ LASER NOZZLES AND ACCESSORIES



FOR ALL MAJOR OEM LASER MODELS

888.558.1504 (toll-free) • 724.352.1504 (phone) • 724.352.4980 (fax) • www.iiviiinfrared.com

IIVI

AMADA	1
BEHRENS	8
BYSTRONIC	9
CINCINNATI	16
FINN POWER	17
GHT	20
HAAS	22
HACO	23
LASER LAB	24
LVD	25
MAZAK	27
MESSER GRIESHEIM	41
MITSUBISHI	42
MURATA WIEDEMANN	45
NTC - BEYELER	46
PRECITEC	47
PRIMA INDUSTRIE	59
RASKIN	62
ROUCHAUD	63
SALVAGNINI	64
STRIPPIT	66
TRUMPF	67
VALFIVRE	79



HOW TO ORDER

If you are unsure of what nozzles you need contact our trained staff for assistance.

Customers in the USA and Canada can call toll-free: 888.558.1504.

Customers outside of the USA and Canada can call: 724.352.1504.

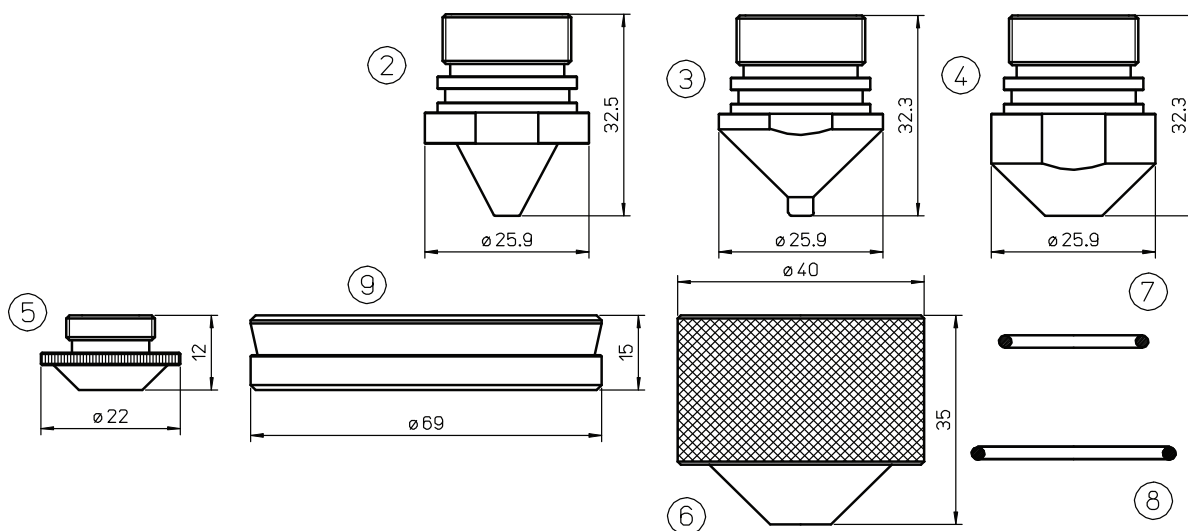
Customers in Europe and Asia can also contact a II-VI Subsidiary Office (see back cover for details).

*Contact a II-VI sales representative for 10-pack availability by specific part number.

Catalog revised December 2006 and copyrighted by II-VI Incorporated.

All original equipment manufacturer's names, drawings, colors, trademarks and part numbers are used for identification purposes only, and we are in no way implying that any of our products are original equipment parts. All parts advertised for sale in this catalog are made for and/or by II-VI Incorporated.

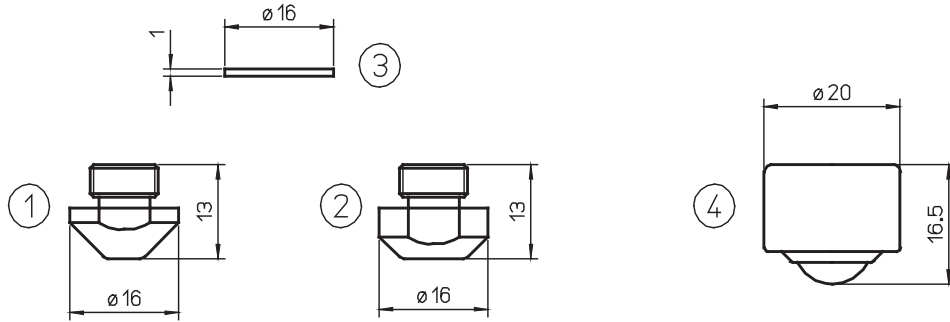
REPLACEMENT CO₂ LASER NOZZLES & ACCESSORIES



POS	II-VI p/n	OEM p/n	DESCRIPTION
2	L81X	6506892	AMADA® NOZZLE Ø 1.3 CP
	L92X	6506892	AMADA® NOZZLE Ø 1.5 CP
	L93X	6506892	AMADA® NOZZLE Ø 1.8 CP
	L39X	74712001-6506892	AMADA® NOZZLE Ø 2.0 CP
3	L63X	71101901	AMADA® NOZZLE Ø 1.3 CP
	L91X	71101902	AMADA® NOZZLE Ø 1.5 CP
	L75X	71101901	AMADA® NOZZLE Ø 1.8 CP
	L29X	71101901-845735	AMADA® NOZZLE Ø 2.0 CP
	L809X		AMADA® NOZZLE Ø 2.5 CP
	L808X	71101901	AMADA® NOZZLE Ø 3.0 CP
4	L297X		AMADA® NOZZLE Ø 1.3 CP
	L298X	62094001-71102001	AMADA® NOZZLE Ø 1.5 CP
	L299X	62094001-71102001	AMADA® NOZZLE Ø 1.8 CP
	L300X	62094001-71102001	AMADA® NOZZLE Ø 2.0 CP
	L301X	62094002-71102005	AMADA® NOZZLE Ø 3.0 CP
	5	L85X	
L94X			AMADA® NOZZLE Ø 1.25 CP
L95X			AMADA® NOZZLE Ø 1.5 CP
L96X			AMADA® NOZZLE Ø 1.75 CP
L38X		74718816-8249301	AMADA® NOZZLE Ø 2.0 CP
6		L30X	71101905-841143B
7	AL90	S-20	AMADA® O-RING FOR NOZZLE S-20 - 10 PCS
8	AL96	1AS-34	AMADA® O-RING FOR NOZZLE OUTER
9	AL32		AMADA® DRAIN DISK WITH HOLE
	AL33		AMADA® DRAIN DISK W/CONICAL HOLE

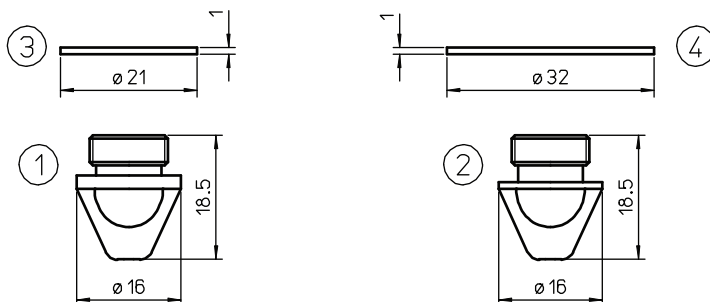
AMADA

All original equipment manufacturer's names, drawings, colors, trademarks and part numbers are used for identification purposes only, and we are in no way implying that any of our products are original equipment parts. All parts advertised for sale in this catalog are made for and/or by II-VI Incorporated.



POS	II-VI p/n	OEM p/n	DESCRIPTION
1	L171X	62094006	AMADA® NOZZLE Ø 1.0 CP
	L172X	62094006	AMADA® NOZZLE Ø 1.25 CP
	L173X	62094006-1507610	AMADA® NOZZLE Ø 1.5 CP
	L174X	62094006	AMADA® NOZZLE Ø 1.75 CP
	L27X	62094006-1507611	AMADA® NOZZLE Ø 2.0 CP
	L175X	62094006	AMADA® NOZZLE Ø 2.5 CP
	L28X	62094008-71102007	AMADA® NOZZLE Ø 3.0 CP
	2	L750X	62094005
L751X		62094005	AMADA® NOZZLE Ø 1.25 CP
L752X		62094005-71341515	AMADA® NOZZLE Ø 1.5 CP
L753X		62094005-71341515-1,7	AMADA® NOZZLE Ø 1.75 CP
L754X		62094005-71102006	AMADA® NOZZLE Ø 2.0 CP
L755X		62094005	AMADA® NOZZLE Ø 2.5 CP
L756X		62094005-71341515-3,0	AMADA® NOZZLE Ø 3.0 CP
3		AL107	62094006-ring
4	AL31		AMADA® WORKHOLDER Ø 20

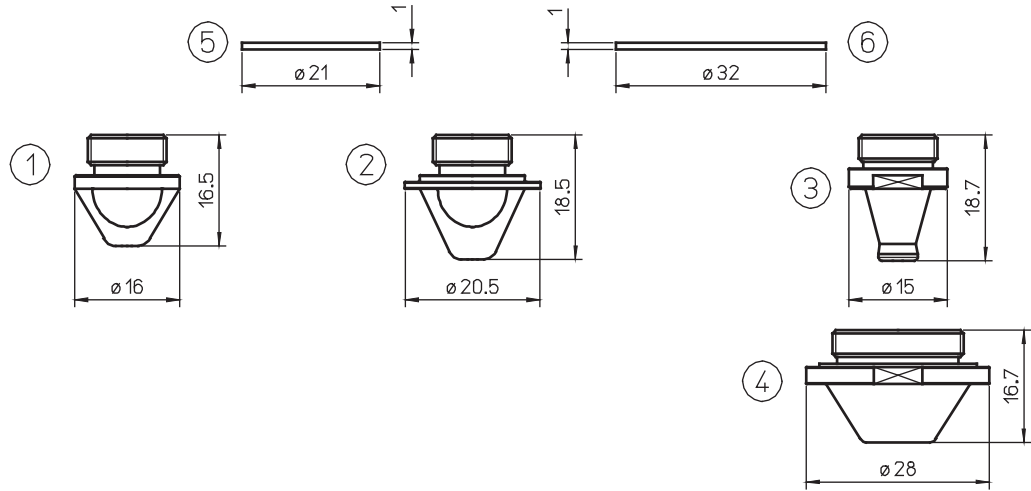
REPLACEMENT CO₂ LASER NOZZLES & ACCESSORIES



POS	II-VI p/n	OEM p/n	DESCRIPTION
1	L134X	1664545U	AMADA® NOZZLE Ø 1.0 CP
	L135X	1664545U	AMADA® NOZZLE Ø 1.25 CP
	L86X	1664545U	AMADA® NOZZLE Ø 1.5 CP
	L136X	1664545U	AMADA® NOZZLE Ø 1.75 CP
	L137X	1664545U-71341610	AMADA® NOZZLE Ø 2.0 CP
	L203X	1664545U	AMADA® NOZZLE Ø 2.5 CP
	L138X	1664545U-71360142	AMADA® NOZZLE Ø 3.0 CP
	L339X		AMADA® NOZZLE Ø 4.0 CP
	L763X		AMADA® NOZZLE Ø 5.0 CP
2	L192X		AMADA® NOZZLE Ø 1.0 CP
	L193X		AMADA® NOZZLE Ø 1.25 CP
	L194X		AMADA® NOZZLE Ø 1.5 CP
	L195X		AMADA® NOZZLE Ø 1.75 CP
	L196X		AMADA® NOZZLE Ø 2.0 CP
	L197X		AMADA® NOZZLE Ø 2.5 CP
	L198X		AMADA® NOZZLE Ø 3.0 CP
	3	AL1005	71341614
AL122		71341614	AMADA® DISC HEAD PROTECTION Ø 21 VESPEL
AL123		71341614	AMADA® CERAMIC DISC HEAD PROTECTION Ø21
4	AL42		AMADA® DISK HEAD PROTECTION Ø 32 PLASTIC

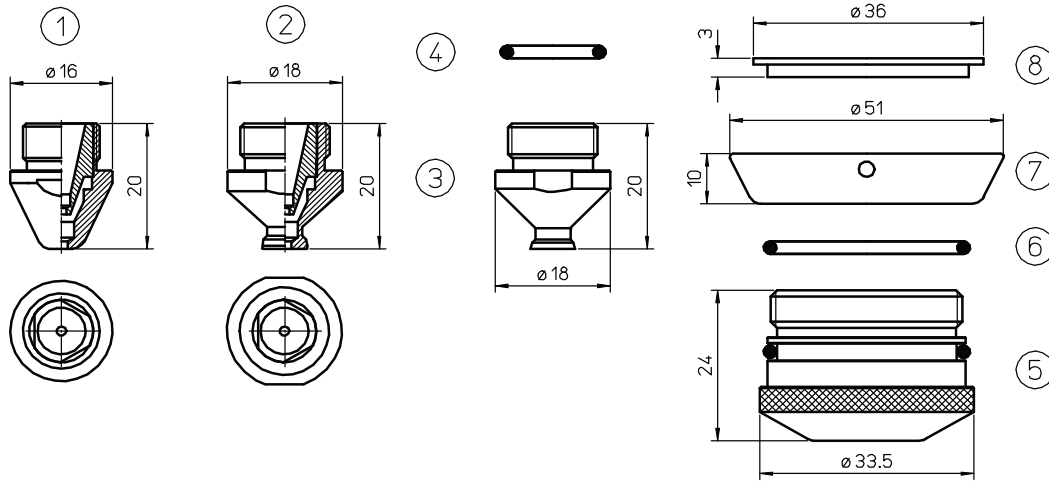
AMADA

All original equipment manufacturer's names, drawings, colors, trademarks and part numbers are used for identification purposes only, and we are in no way implying that any of our products are original equipment parts. All parts advertised for sale in this catalog are made for and/or by II-VI Incorporated.



POS	II-VI p/n	OEM p/n	DESCRIPTION
1	L338X		AMADA® NOZZLE Ø 3.0 CP - SHORT
2	L1066X		AMADA® NOZZLE Ø 2.0 LARGE FLANGE
	L1068X		AMADA® NOZZLE Ø 3.0 LARGE FLANGE
3	L926X		AMADA® NOZZLE HP-X Ø 0.8 CP
	L927X		AMADA® NOZZLE HP-X Ø 1.0 CP
	L928X		AMADA® NOZZLE HP-X Ø 1.2 CP
	L929X		AMADA® NOZZLE HP-X Ø 1.5 CP
	L930X		AMADA® NOZZLE HP-X Ø 2.0 CP
	L931X		AMADA® NOZZLE HP-X Ø 2.5 CP
	L932X		AMADA® NOZZLE HP-X Ø 3.0 CP
4	AL220X		AMADA® NOZZLE OUTER HP-X CP
5	AL1005	71341614	AMADA® DISC HEAD PROTECTION Ø 21 PLASTIC
	AL122	71341614	AMADA® DISC HEAD PROTECTION Ø 21 VESPEL
	AL123	71341614	AMADA® CERAMIC DISC HEAD PROTECTION Ø21
6	AL42		AMADA® DISK HEAD PROTECTION Ø 32 PLASTIC

REPLACEMENT CO₂ LASER NOZZLES & ACCESSORIES

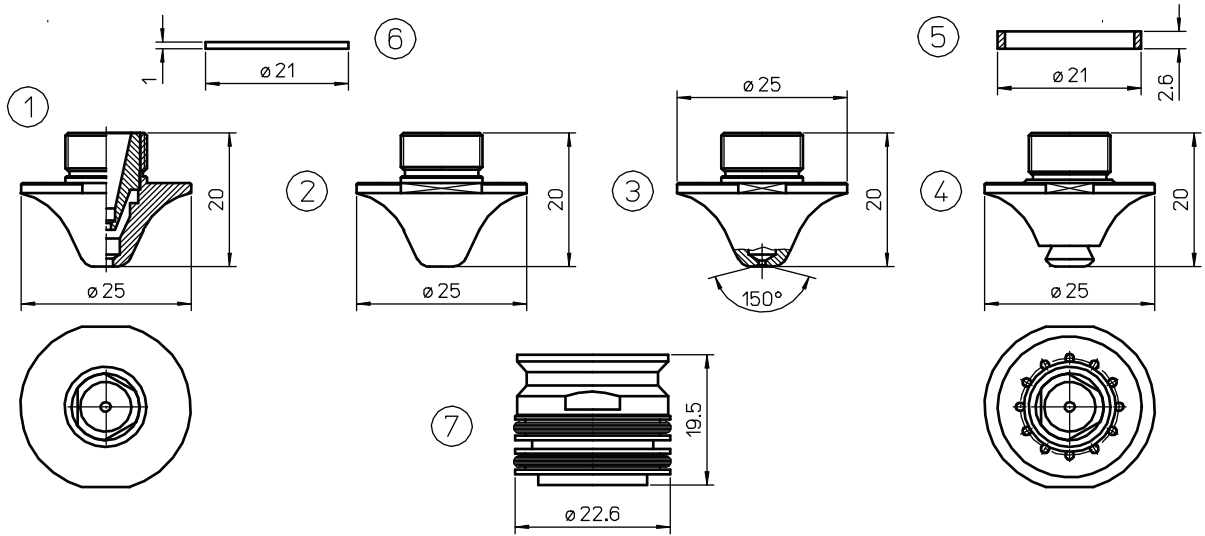


POS	II-VI p/n	OEM p/n	DESCRIPTION
1	L390X	1669864-7134162	AMADA® DOUBLE NOZZLE Ø 1.0 CP
	L392X	1669864-7134162	AMADA® DOUBLE NOZZLE Ø 1.2 CP
	L393X	1669864-7134162	AMADA® DOUBLE NOZZLE Ø 1.4 CP
	L391X	1669864-7134162	AMADA® DOUBLE NOZZLE Ø 1.5 CP
	L315X	1669864-7134162	AMADA® DOUBLE NOZZLE Ø 2.0 CP
	L316X	1669864-7134162	AMADA® DOUBLE NOZZLE Ø 2.5 CP
	L317X	1669864-7134163	AMADA® DOUBLE NOZZLE Ø 3.0 CP
	L768X	1669864-7134162	AMADA® DOUBLE NOZZLE Ø 3.5 CP
	L319X	1669864-7134162	AMADA® DOUBLE NOZZLE Ø 3.8 CP
	L318X	1669864-7134164	AMADA® DOUBLE NOZZLE Ø 4.0 CP

WATER COOLED

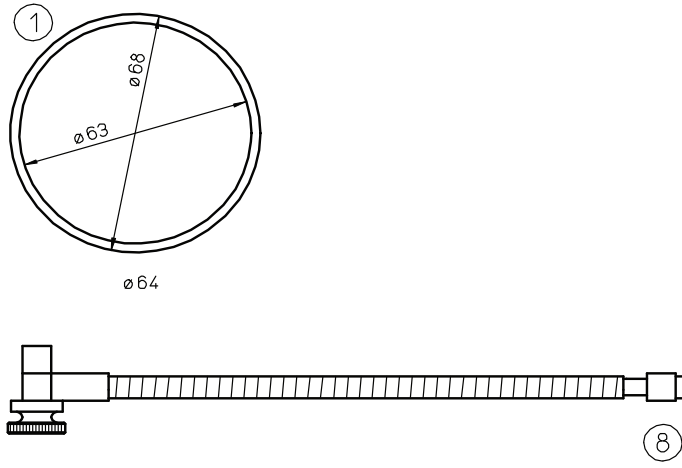
2	L387X	6551218-71341682	AMADA® DOUBLE NOZZLE Ø 1.0 CP
	L386X	6551218-71341682	AMADA® DOUBLE NOZZLE Ø 1.2 CP
	L389X	6551218-71341682	AMADA® DOUBLE NOZZLE Ø 1.4 CP
	L388X	6551218-71341682	AMADA® DOUBLE NOZZLE Ø 1.5 CP
	L320X	6551218-71341682	AMADA® DOUBLE NOZZLE Ø 2.0 CP
	L321X	6551218-71341682	AMADA® DOUBLE NOZZLE Ø 2.5 CP
	L322X	6551218-71341682	AMADA® DOUBLE NOZZLE Ø 3.0 CP
	L323X	6551218-71341682	AMADA® DOUBLE NOZZLE Ø 3.8 CP
	L330X	6551218-71341682	AMADA® DOUBLE NOZZLE Ø 4.0 CP
	3	L384X	71366090
L765X		71366090	AMADA® NOZZLE Ø 1.2 CP
L766X		71366090	AMADA® NOZZLE Ø 1.4 CP
L385X		71366090	AMADA® NOZZLE Ø 1.5 CP
L324X		71366090	AMADA® NOZZLE Ø 2.0 CP
L325X		71366090	AMADA® NOZZLE Ø 2.5 CP
L326X		71366090	AMADA® NOZZLE Ø 3.0 CP
L327X		71366090	AMADA® NOZZLE Ø 3.8 CP
L767X		71366090	AMADA® NOZZLE Ø 4.0 CP
4		AL93	S-14
5	AL115X	71366452	AMADA® NOZZLE OUTER CP
6	AL94	71366453	AMADA® O'RING FOR NOZZLE OUTER-10 PCS
7	AL180	71366438	AMADA® GUARD NUT
8	AL181	71366437	AMADA® GUARD RING

All original equipment manufacturer's names, drawings, colors, trademarks and part numbers are used for identification purposes only, and we are in no way implying that any of our products are original equipment parts. All parts advertised for sale in this catalog are made for and/or by II-VI Incorporated.



POS	II-VI p/n	OEM p/n	DESCRIPTION
1	L585X	1572361	AMADA® DOUBLE NOZZLE Ø 1.2 CP
	L586X	71369813 D1.4E	AMADA® DOUBLE NOZZLE Ø 1.4 CP
	L587X	1572361	AMADA® DOUBLE NOZZLE Ø 2.0 CP
	L584X	71501059	AMADA® DOUBLE NOZZLE Ø 2.5 CP
	L588X	1572361	AMADA® DOUBLE NOZZLE Ø 3.0 CP
	L589X	71501060	AMADA® DOUBLE NOZZLE Ø 4.0 CP
	L583X	1572361	AMADA® DOUBLE NOZZLE Ø 5.0 CP
	L569X		AMADA® DOUBLE NOZZLE Ø 6.0 CP
2	L590X	1572362	AMADA® NOZZLE Ø 0.8 CP
	L591X	1572362	AMADA® NOZZLE Ø 1.0 CP
	L592X	71369812	AMADA® NOZZLE Ø 1.2 CP
	L593X	1572362	AMADA® NOZZLE Ø 1.4 CP
	L594X	71501057	AMADA® NOZZLE Ø 2.0 CP
	L595X	71501058	AMADA® NOZZLE Ø 3.0 CP
	L596X	1572362	AMADA® NOZZLE Ø 4.0 CP
3	L1031X	71502038	AMADA® NOZZLE Ø 1.4 CP W/CONCAVE
	L1024X		AMADA® NOZZLE Ø 0.8 CP W/CONCAVE
	L1025X		AMADA® NOZZLE Ø 1.0 CP W/CONCAVE
	L1026X	71502037	AMADA® NOZZLE Ø 1.2 CP W/CONCAVE
4	L1045X	71502039 D2.5W	AMADA® DOUBLE NOZZLE Ø 2.5 CP WITH HOLES
	L1049X	71502040	AMADA® DOUBLE NOZZLE Ø 4.0 CP WITH HOLES
5	AL234		AMADA® TEFLON RING FOR WATER COOLED SYSTEM
6	AL1005	71341614	AMADA® DISC HEAD PROTECTION Ø 21 PLASTIC
	AL122	71341614	AMADA® DISC HEAD PROTECTION Ø 21 VESPEL
	AL123	71341614	AMADA® CERAMIC DISC HEAD PROTECTION Ø21
7	AL248	71502036	AMADA® NOZZLE ADAPTOR WITH HOLES

REPLACEMENT CO₂ LASER NOZZLES & ACCESSORIES



POS	II-VI p/n	OEM p/n	DESCRIPTION
1	AL56		AMADA® GASKET TEFLON FOR SENSOR HEAD
8	AL200	71232023	AMADA® CONNECTING CABLE HS 5
	AL220		AMADA® CONNECTING CABLE HS-15

All original equipment manufacturer's names, drawings, colors, trademarks and part numbers are used for identification purposes only, and we are in no way implying that any of our products are original equipment parts. All parts advertised for sale in this catalog are made for and/or by II-VI Incorporated.

I-VI INFRARED ... the world leader in CO₂ laser optics

FOR ALL OF YOUR REPLACEMENT OPTIC NEEDS

888.558.1504 (toll-free) • 724.352.1504 (phone) • 724.352.4980 (fax) • www.iiviinfrared.com

I-VI

The advertisement features a collection of laser optics, including several circular lenses of varying sizes and colors (yellow, orange, and green) and a black nozzle with a silver ring. The nozzle has "I-VI INFRARED" and "HARRISBURG, PA U.S.A." engraved on it. The background is dark, making the optics stand out.

All orders received by II-VI Incorporated ("II-VI") are expressly conditioned upon the following conditions of sale:

1) Acceptance

Any additional or different terms set forth in any purchase order or other communication from Buyer are objected to and not binding upon II-VI unless and until accepted in writing by an authorized representative of II-VI.

2) Standard Warranty

II-VI warrants to the Buyer of each product of II-VI's own manufacture ("Product") that each Product will be free from defects in materials and workmanship subject to the following conditions:

The obligations of II-VI under this Standard Warranty shall be limited to either, at the option of II-VI: (1) the replacement or repair of any Product upon the shipment of such Product, freight prepaid by Buyer to the II-VI factory; or (2) the provision to Buyer of a credit against future purchases in an amount equal to the purchase price of the defective Product.

IN NO EVENT WILL II-VI BE LIABLE FOR ANY INCIDENTAL OR CONSEQUENTIAL DAMAGES OF BUYER. THE FOREGOING REMEDIES ARE THE SOLE AND EXCLUSIVE REMEDY OF BUYER FOR ANY BREACH OF WARRANTY UNDER THIS CONTRACT.

All claims under this Standard Warranty must be made within ONE (1) YEAR after the date on which the Product was delivered to Buyer. In the case of a replacement or repair of a Product, Buyer shall only ship a defective Product to II-VI after an authorized representative of II-VI has provided a Return Authorization (RA) number for such warranty claim. Returns will be subject to a 30% restocking fee.

With respect to such returns, Buyer is solely responsible for properly packaging any Product to be returned to II-VI under this Standard Warranty. Products must be packaged in their original manufacturer's packaging or equivalent. Products must be packaged in separate shipping containers with Return Authorization (RA) numbers clearly marked on the outside of the shipping containers. If there are questions regarding proper packaging and shipping, contact II-VI for guidelines. II-VI will not be responsible for replacing or repairing any Product damaged while in transit to II-VI due to faulty or deficient packaging.

This Standard Warranty shall be void and shall not apply with respect to any Product which, upon inspection by II-VI, shows evidence of damage as a result of abuse, misuse, mishandling, accidental damage, alteration, negligent handling, or improper installation or application, or as a result of alteration or other causes beyond the control of II-VI.

This Standard Warranty shall not apply to goods or parts included in or supplied with Products; such goods or parts carry only such warranties, if any, as are provided by the manufacturers of such goods or parts, which warranties may be more restrictive than the Standard Warranty provided by II-VI.

With respect to any previously-purchased Product, II-VI shall have no obligation to install updates or upgrades to any components in such Product, even if the exclusion of such updates or upgrades of such components renders such Product obsolete when compared to a new Product of a substantially similar type.

THERE ARE NO WARRANTIES THAT EXTEND BEYOND THE DESCRIPTION CONTAINED HEREIN. THIS WARRANTY VOIDS AND EXCLUDES ANY AND ALL OTHER WARRANTIES OR REPRESENTATIONS, WHETHER EXPRESS OR IMPLIED OR ARISING UNDER ANY LAW, RELATING TO THE GOODS, INCLUDING BUT NOT LIMITED TO WARRANTIES OF MERCHANTABILITY AND/OR FITNESS FOR ANY PARTICULAR PURPOSES.

NO PERSON, FIRM, OR CORPORATION IS AUTHORIZED TO ASSUME ON BEHALF OF II-VI ANY ADDITIONAL OBLIGATION OR LIABILITY NOT EXPRESSLY PROVIDED HEREIN, EXCEPT IN A WRITING DULY EXECUTED BY AN OFFICER OF II-VI.

3) Limitation of Liability

In no event shall II-VI be liable for any incidental or consequential damages. The liability of II-VI on any claim of any kind shall in no event exceed the price of the Product which gives rise to the claim. Except as to title, all such liability shall terminate upon expiration of the warranty period of the Product.

The invalidity of any of the previous paragraphs shall not affect the remainder of this paragraph or any other paragraph in this section.

4) Patent Infringement

Buyer shall hold II-VI harmless against any expense or loss resulting from infringement of patents or trademarks arising from compliance with Buyer's designs or specifications.

5) Delivery and Title

Delivery dates are approximate and are based upon prompt receipt of all necessary information from Buyer. Under no circumstances does II-VI guarantee date of shipment.

Unless otherwise specified by II-VI, shipment will be made and title will pass F.O.B. point of shipment. II-VI shall ship Products as it deems appropriate unless instructed otherwise in writing by Buyer.

6) Risk of Loss

Risk of loss or damage shall pass to Buyer upon shipment. Loss or damage that occurs during shipping by a carrier selected by Buyer is Buyer's responsibility.

7) Uncontrollable Delays

II-VI shall not be liable for delivery delays due to causes beyond its reasonable control including, but not limited to, acts of God, acts of Buyer, acts of military authority, governmental priorities, labor strikes, and transportation delays.

8) Financial Conditions

If II-VI determines in good faith that the financial condition of Buyer at any time does not justify the continuation of production or shipment on the terms of payment originally specified, II-VI may require full or partial payment in advance. In the event of Buyer bankruptcy or insolvency, II-VI shall be entitled to cancel any outstanding order and shall receive reimbursement for its cancellation charges.

9) Payment Terms

Unless terms are specifically set forth on the Order Acknowledgement, Buyer shall pay at such time and such terms as specified in II-VI's original invoice. Any quotations shall be valid for the period stated on the quotation.

10) Cancellation

Buyer may not cancel its order after shipment has been made. Buyer may cancel its order prior to shipment only upon written notice and consent of II-VI. If II-VI consents to any such cancellation, Buyer may be required to pay cancellation charges which include lost profits and all expenses incurred in connection with the cancelled order.

11) Jurisdiction

The validity, performance, and all matters relating to the interpretation and effect of this agreement shall be governed by the laws of the Commonwealth of Pennsylvania.

All original equipment manufacturer's names, drawings, colors, trademarks and part numbers are used for identification purposes only, and we are in no way implying that any of our products are original equipment parts. All parts advertised for sale in this catalog are made for and/or by II-VI Incorporated.

WORLDWIDE SALES OFFICES

To place an order, contact a II-VI sales representative at any of the following locations, or log onto www.iiviinfrared.com/contact for our most complete and up-to-date information.

II-VI INFRARED

375 SAXONBURG BLVD
SAXONBURG, PA 16056
UNITED STATES

888.558.1504 (toll-free in USA)
724.352.1504 (phone)
724.352.4980 (fax)
info@iiviinfrared.com (e-mail)

II-VI WEST

36570 BRIGGS ROAD
MURRIETA, CA 92563
UNITED STATES

800.262.5273 (toll-free in USA)
951.926.7640 (phone)
951.926.1984 (fax)
info@iiviinfrared.com (e-mail)

II-VI BELGIUM NV

BAAIKENSSTRAAT 21/2
B-9240 ZELE
BELGIUM

32 (0) 52 45 86 10 (phone)
32 (0) 52 45 86 11 (fax)
sales@ii-vi.be (e-mail)

II-VI DEUTSCHLAND GmbH

IM TIEFEN SEE 58
D-64293 DARMSTADT
GERMANY

49 6151 880 629 (phone)
49 6151 896 667 (fax)
info@ii-vi.de (e-mail)

II-VI SUISSE S.à.r.l.

MOULIN-DU-CHOC
1122 ROMANEL-SUR-MORGES
SWITZERLAND

41 21 869 02 52 (phone)
41 21 869 93 08 (fax)
info@ii-vi-suisse.ch (e-mail)

II-VI UK LTD.

21 BURLEY ROAD
OAKHAM, RUTLAND
LE15 6DH
ENGLAND

44 1572 771 778 (phone)
44 1572 771 779 (fax)
salesii-vi@oakham.uk.com (e-mail)

II-VI JAPAN

WBG MARIVE EAST 17F
2-6 NAKASE, MIHAMA-KU
CHIBA-SHI, CHIBA 261-7117
JAPAN

81 43297 2693 (phone)
81 43297 3003 (fax)
center@ii-vi.co.jp (e-mail)

II-VI SINGAPORE PTE., LTD.

BLK. 5012, TECH PLACE II
#04-07 & 05-07/12
ANG MO KIO AVE. 5
SINGAPORE 569876

65 6481 8215 (phone)
65 6481 8702 (fax)
info@ii-vi.com.sg (e-mail)

II-VI OPTICS (SUZHOU) CO., LTD.

NO 12, SUTONG ROAD
SUZHOU INDUSTRIAL PARK
SUZHOU, CHINA 215021

86 512 6761 9295 (phone)
86 512 6761 5049 (fax)
twosix@ii-vi.com.cn (e-mail)

www.iiviinfrared.com